

Industrial Applications



INSTALLED POWER DISTRIBUTION CATALOG



BACK-UP POWER • EVENT POWER • EMERGENCY RELIEF

Table of Contents

Permanent Power Solutions

PowerGATE®

PowerGATE™ ReadySwitch X™ Series System Diagram.....	4
100-400 Amp ReadySwitch X™ Series.....	5-9
PowerGATE™ Power Input Panel System Diagram.....	10
100 Amp Compact Power Input Panel.....	11
400 & 800 Amp Power Input Panel	12-13
1200 & 1600 Amp Power Input Panel	14-15
PowerGATE™ Power Output Panel System Diagram.....	16
400 & 800 Amp Power Output Panel.....	17-18
1200 & 1600 Amp Power Output Panel	19-20
Company Switch.	21-22

Cable Assemblies & Extensions

PowerFLEX™

Cam-Type Devices & Accessories	23
Feeder Cables with Cam-Type Devices	24
Soft Siamese and Pin & Sleeve Extensions.....	25

Collapsible Storage Bin	26
-------------------------------	----

Portable Work Lights

LuxCommander®

LED and Fluorescent Portable Work Light	27
---	----

Cable Protectors

PowerRAMP®

Cable Crossovers.....	28
-----------------------	----

Resources

Generator KVA Rating to Amperage Conversion Chart.....	29
Wire Conversion Chart	30

Quality. Innovation. Durability.

Lex Products is a leading North American manufacturer of innovative power distribution solutions for demanding markets, including entertainment, industrial and the military. Founded in 1989, the company specializes in products designed to withstand rough use and harsh environments. Headquartered in Connecticut with offices in California, Florida and Scotland.

An industry pioneer in innovative power distribution applications, Lex Products introduced the use of rubber enclosures for power distribution boxes to North America, which established a new level of safety in power distribution equipment. The company also instituted new molding technologies and applications for cable assemblies, enabling the development of products of unprecedented durability.

All products are subjected to rigorous testing and designed to meet and exceed the strictest safety codes. Lex Products manufactures a full range of portable and permanent power distribution and emerging energy storage solutions, including:

- PowerGATE® Power Switches and Input Panels
- PowerFLEX™ Cable Assemblies
- PowerPARTS™ Wiring Devices
- PowerRAMP® Cable Protectors
- LuxCommander® Portable Work Lights

To learn more about Lex Products, please visit www.lexproducts.com.



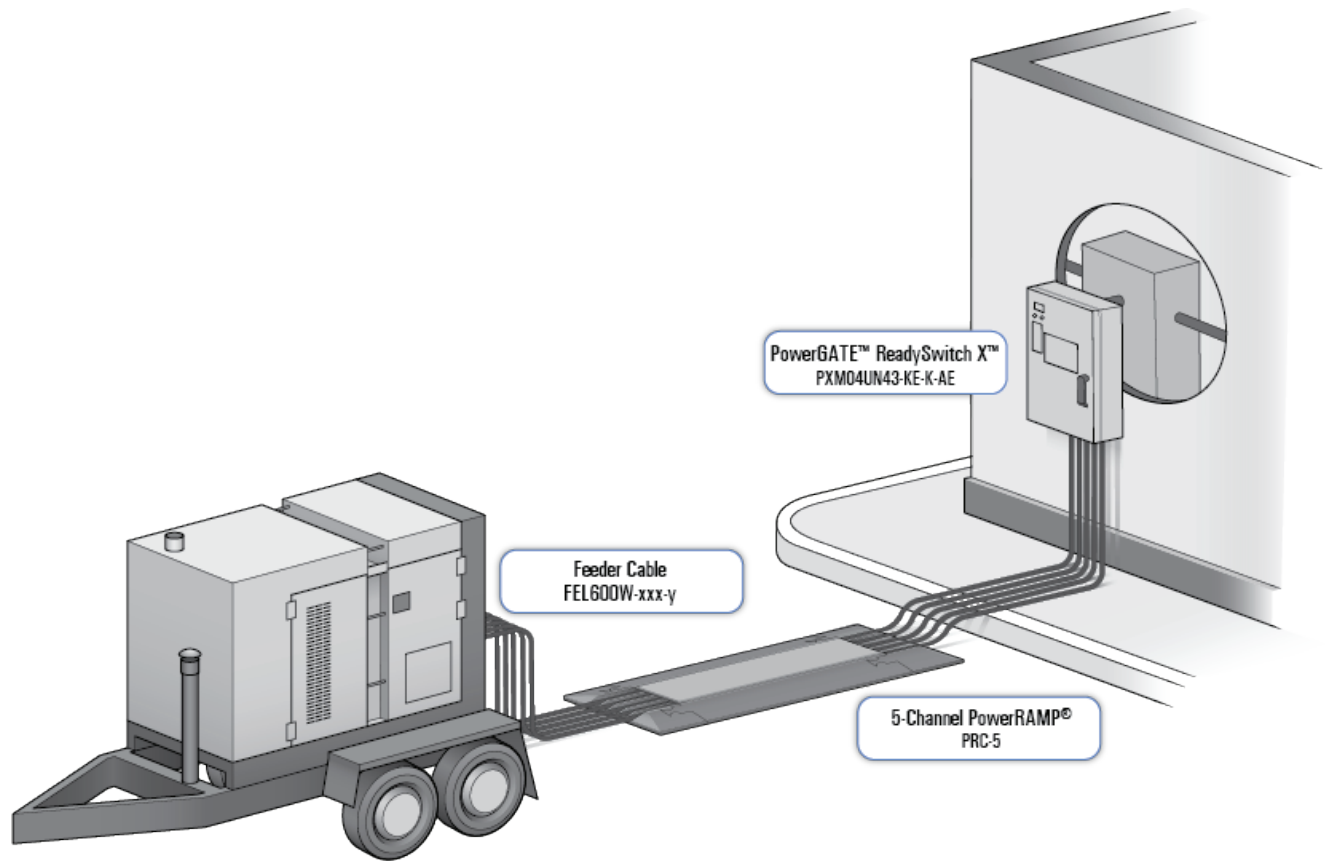
SOLUTIONS PROVIDER

Need power distribution that allows for flexibility and long term use? Lex Products can develop an easy to use, scalable system specific to your needs. With decades of experience, we have fine-tuned power distribution that is easy to use, flexible for application needs and is built to withstand rugged environments.

From outdoor events, temporary relief, rental houses, shipyards to just about anywhere you need portable power distribution let us know what your specific project needs are.

All our solutions adhere to strict NEC and UL standards. Contact our team to start the consultation process and help us learn more about project.

100-400 Amp PowerGATE™ ReadySwitch X™ System



100, 200 and 400 Amp ReadySwitch X™ Manual Transfer Switch

Rotary Switch with Integrated Power Input Panel

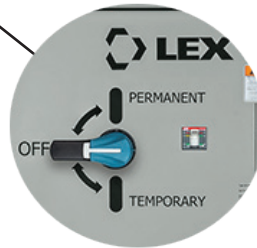
PowerGATE®
Switches & Panels



cUL US LISTED
TYPE 3R



Phase Rotation Monitor



Single Handle Rotary Switch



Active Source Indicator Lights

Application:

The ReadySwitch X™, a cULus Listed 1008 Manual Transfer Switch with Rotary Style Switch and Integrated Power Input Panel provides a safe, convenient, and economical way to connect and transfer between permanent and temporary power during natural disaster, power grid failure and system maintenance.

The ReadySwitch X Series satisfies the requirements of NFPA 110-2022, Chapter 6, Transfer Switch Equipment and NFPA 70, National Electrical Code (NEC):

- Article 408 - Switchboards and Panelboards
- Article 700 - Emergency Systems
- Article 702 - Optional Standby Systems

Prior to (or during) a power outage, a portable generator is connected to the ReadySwitch X using industry standard 16 Series Cam-Type devices. If a power outage does occur, the portable generator is energized and the ReadySwitch X rotary manual transfer switch can be toggled by any trained personnel. Power is then restored to the facility, saving your business money and profit.

The ReadySwitch X Series comes equipped with enhancing capabilities in support of keeping the power on and businesses running.

Features & Benefits:

- The manual, three position switch prevents two sources of power from feeding the system at the same time
- Cables with 16 Series Cam-type Connectors connect directly to the inputs, saving crucial time in emergency situations while complying to NEC code
- **Indicator lights** located on the front of the panel help remove the guess work and the need to open the locked door to see which source of power is active.
- **Phase Rotation Monitor (units up to 480V):** Quickly monitor the total loss of one or more phases and synchronization of phases.
- **Convenience Outlets:** (2) 20A 120V Weather Resistant Duplex Receptacles protected by (2) GFCI breakers aids in preventing nuisance tripping due to condensation.
- Supply power to block heaters and battery chargers with convenience outlets.
- Units feature an electronic trip circuit breaker that is 100% rated, enabling continuous operation at maximum capacity ([Service Entrance Rated Only](#))
- Electronic circuit breaker may be configured in the field to trip between 40% and 100% of its rated capacity. ([Service Entrance Rated Only](#))
- Weatherproof construction for installation on building exterior ensures long life

Non-Service Entrance Rated

A non-service entrance rated panel is installed after the main distribution panel of the facility and is a sub panel within the electrical system. This panel is used to switch from the permanent source of power to temporary power for specific electrical needs within the facility.

- Installed after the main distribution panel (MDP) of the facility
- Sub panel within the electrical system
- Used to switch from permanent power to backup power for specific electrical needs within the facility



Non-Service Entrance Rated	100 Amp 120/208 VAC	100 Amp 480/277 VAC
Catalog Number	PXM01UN13-KE-K-AE	PXM01UN43-KE-K-AE
Rating	100 Amp, 3 Phase (H,H,H,N,G), 4-Pole, 5-Wire, 120/208 VAC, 35 KA SCCR	100 Amp, 3 Phase (H,H,H,N,G), 4-Pole, 5-Wire, 480/277 VAC, 35 KA SCCR
Environmental Rating	NEMA Type 3R (Outdoor Use)	
Input	PERMANENT (5) compression single wire lugs (H,H,H), wire range: 300 MCM – 6 AWG, (N,G dual port terminal blocks), wire range: 600 MCM - 2 AWG TEMPORARY (1) set of (5) 16 Series Cam-type, 400 Amp, single pole, Black, Red, Blue, White, Green, (H,H,H,N,G), panel mount inlets	PERMANENT (5) compression single wire lugs (H,H,H), wire range: 300 MCM – 6 AWG, (N,G dual port terminal blocks), wire range: 600 MCM - 2 AWG TEMPORARY (1) set of (5) 16 Series Cam-type, 400 Amp, single pole, Brown, Orange, Yellow, White, Green, (H,H,H,N,G), panel mount inlets
Output	(1) set of (5) compression lugs (H,H,H,N,G), wire range: 300 MCM – 6 AWG; (2) NEMA 5-20 (Edison), 20 Amp, 2-pole, 3-wire, 125 VAC, straight blade duplex receptacles, panel mount	
Disconnect Method	Double Throw Switch	
Overcurrent Protection	PERMANENT – None ACCESSORY – (2) 20 Amp, 125 VAC, single-pole, GFCI, hydraulic magnetic, branch-rated circuit breakers	
Agency Approval	cULus Listed	
Enclosure	Powder Coated Aluminum 5052, 0.1" thick, ANSI 61 gray, wall mounted	
Dimensions	30"L x 30"W x 16.209"D	
Approximate Weight	185 lbs.	185 lbs.



Non-Service Entrance Rated	200 Amp 120/208 VAC	200 Amp 480/277 VAC
Catalog Number	PXM02UN13-KE-K-AE	PXM02UN43-KE-K-AE
Rating	200 Amp, 3 Phase (H,H,H,N,G), 4-Pole, 5-Wire, 120/208 VAC, 35 KA SCCR	200 Amp, 3 Phase (H,H,H,N,G), 4-Pole, 5-Wire, 480/277 VAC, 35 KA SCCR
Environmental Rating	NEMA Type 3R (Outdoor Use)	
Input	PERMANENT (5) compression single wire lugs (H,H,H), wire range: 300 MCM – 6 AWG, (N,G dual port terminal blocks), wire range: 600 MCM - 2 AWG TEMPORARY (1) set of (5) 16 Series Cam-type, 400 Amp, single pole, Black, Red, Blue, White, Green, (H,H,H,N,G), panel mount inlets	PERMANENT (5) compression single wire lugs (H,H,H), wire range: 300 MCM – 6 AWG, (N,G dual port terminal blocks), wire range: 600 MCM - 2 AWG TEMPORARY (1) set of (5) 16 Series Cam-type, 400 Amp, single pole, Brown, Orange, Yellow, White, Green, (H,H,H,N,G), panel mount inlets
Output	(1) set of (5) compression lugs (H,H,H,N,G), wire range: 300 MCM – 6 AWG; (2) NEMA 5-20 (Edison), 20 Amp, 2-pole, 3-wire, 125 VAC, straight blade duplex receptacles, panel mount	
Disconnect Method	Double Throw Switch	
Overcurrent Protection	PERMANENT – None ACCESSORY – (2) 20 Amp, 125 VAC, single-pole, GFCI, hydraulic magnetic, branch-rated circuit breakers	
Agency Approval	cULus Listed	
Enclosure	Powder Coated Aluminum 5052, 0.1" thick, ANSI 61 gray, wall mounted	
Dimensions	30.00"L x 30.00"W x 16.21"D	32.00"L x 38.00"W x 18.34"D
Approximate Weight	185 lbs.	234 lbs.

Non-Service Entrance Rated	400 Amp 120/208 VAC	400 Amp 480/277 VAC
Catalog Number	PXM04UN13-KE-K-AE	PXM04UN43-KE-K-AE
Rating	400 Amp, 3 Phase (H,H,H,N,G), 4-Pole, 5-Wire, 120/208 VAC, 35 KA SCCR	400 Amp, 3 Phase (H,H,H,N,G), 4-Pole, 5-Wire, 480/277 VAC, 35 KA SCCR
Environmental Rating	NEMA Type 3R (Outdoor Use)	
Input	PERMANENT (5) compression single wire lugs (H,H,H), wire range: 300 MCM – 6 AWG, (N,G dual port terminal blocks), wire range: 600 MCM - 2 AWG TEMPORARY (1) set of (5) 16 Series Cam-type, 400 Amp, single pole, Black, Red, Blue, White, Green, (H,H,H,N,G), panel mount inlets	PERMANENT (5) compression single wire lugs (H,H,H), wire range: 300 MCM – 6 AWG, (N,G dual port terminal blocks), wire range: 600 MCM - 2 AWG TEMPORARY (1) set of (5) 16 Series Cam-type, 400 Amp, single pole, Brown, Orange, Yellow, White, Green, (H,H,H,N,G), panel mount inlets
Output	(1) set of (5) compression lugs (H,H,H,N,G), wire range: 300 MCM – 6 AWG; (2) NEMA 5-20 (Edison), 20 Amp, 2-pole, 3-wire, 125 VAC, straight blade duplex receptacles, panel mount	
Disconnect Method	Double Throw Switch	
Overcurrent Protection	PERMANENT – None ACCESSORY – (2) 20 Amp, 125 VAC, single-pole, GFCI, hydraulic magnetic, branch-rated circuit breakers	
Agency Approval	cULus Listed	
Enclosure	Powder Coated Aluminum 5052, 0.1" thick, ANSI 61 gray, wall mounted	
Dimensions	32.00"L x 38.00"W x 18.34"D	
Approximate Weight	234 lbs.	234 lbs.

Service Entrance Rated

A service entrance rated switch is installed between the utility power and the facility. It is the first point of entry for the electrical service into the building. This is used to switch from utility power and backup power for the entire system.

- Installed between the utility power and the facility
- First point of entry for electrical service into the building
- Used to switch from utility power to backup power for the entire system
- Suitable For Use as Service Equipment (SUSE) in the USA Only



Service Entrance Rated	100 Amp 120/208 VAC	100 Amp 480/277 VAC
Catalog Number	PXM01US13-KE-K-AE	PXM01US43-KE-K-AE
Rating	100 Amp, 3 Phase (H,H,H,N,G), 4-Pole, 5-Wire, 120/208 VAC, 35 KA SCCR	100 Amp, 3 Phase (H,H,H,N,G), 4-Pole, 5-Wire, 480/277 VAC, 35 KA SCCR
Environmental Rating	NEMA Type 3R (Outdoor Use)	
Input	PERMANENT (5) compression single wire lugs (H,H,H), wire range: 350 MCM – 6 AWG, (N,G dual port terminal blocks), wire range: 600 MCM - 2 AWG TEMPORARY (1) set of (5) 16 Series Cam-type, 400 Amp, single pole, Black, Red, Blue, White, Green, (H,H,H,N,G), panel mount inlets	PERMANENT (5) compression single wire lugs (H,H,H), wire range: 350 MCM – 6 AWG, (N,G dual port terminal blocks), wire range: 600 MCM - 2 AWG TEMPORARY (1) set of (5) 16 Series Cam-type, 400 Amp, single pole, Brown, Orange, Yellow, White, Green, (H,H,H,N,G), panel mount inlets
Output	(1) set of (5) compression lugs (H,H,H,N,G), wire range: 300 MCM – 6 AWG; (2) NEMA 5-20 (Edison), 20 Amp, 2-pole, 3-wire, 125 VAC, straight blade duplex receptacles, panel mount	
Disconnect Method	Double Throw Switch	
Overcurrent Protection	PERMANENT – (1) 100 Amp, 600 VAC triple-pole, adjustable electronic, branch-rated circuit breaker, 65 KAIC, 100% rated ACCESSORY – (2) 20 Amp, 125 VAC, single-pole, GFCI, hydraulic magnetic, branch-rated circuit breakers	
Agency Approval	cULus Listed	
Enclosure	Powder Coated Aluminum 5052, 0.1" thick, ANSI 61 gray, wall mounted	
Dimensions	30"L x 30"W x 16.21"D	
Approximate Weight	185 lbs.	185 lbs.



Service Entrance Rated	200 Amp 120/208 VAC	200 Amp 480/277 VAC
Catalog Number	PXM02US13-KE-K-AE	PXM02US43-KE-K-AE
Rating	200 Amp, 3 Phase (H,H,H,N,G), 4-Pole, 5-Wire, 120/208 VAC, 35 KA SCCR	200 Amp, 3 Phase (H,H,H,N,G), 4-Pole, 5-Wire, 480/277 VAC, 35 KA SCCR
Environmental Rating	NEMA Type 3R (Outdoor Use)	
Input	PERMANENT (5) compression single wire lugs (H,H,H), wire range: 350 MCM – 6 AWG, (N,G dual port terminal blocks), wire range: 600 MCM - 2 AWG TEMPORARY (1) set of (5) 16 Series Cam-type, 400 Amp, single pole, Black, Red, Blue, White, Green, (H,H,H,N,G), panel mount inlets	PERMANENT (5) compression single wire lugs (H,H,H), wire range: 350 MCM – 6 AWG, (N,G dual port terminal blocks), wire range: 600 MCM - 2 AWG TEMPORARY (1) set of (5) 16 Series Cam-type, 400 Amp, single pole, Brown, Orange, Yellow, White, Green, (H,H,H,N,G), panel mount inlets
Output	(1) set of (5) compression lugs (H,H,H,N,G), wire range: 300 MCM – 6 AWG; (2) NEMA 5-20 (Edison), 20 Amp, 2-pole, 3-wire, 125 VAC, straight blade duplex receptacles, panel mount	(1) set of (5) dual port compression lugs (H,H,H,N,G), wire range: 600 MCM – 2 AWG; (2) NEMA 5-20 (Edison), 20 Amp, 2-pole, 3-wire, 125 VAC, straight blade duplex receptacles, panel mount
Disconnect Method	Double Throw Switch	
Overcurrent Protection	PERMANENT – (1) 200 Amp, 600 VAC triple-pole, adjustable electronic, branch-rated circuit breaker, 65 KAIC, 100% rated ACCESSORY – (2) 20 Amp, 125 VAC, single-pole, GFCI, hydraulic magnetic, branch-rated circuit breakers	
Agency Approval	cULus Listed	
Enclosure	Powder Coated Aluminum 5052, 0.1" thick, ANSI 61 gray, wall mounted	
Dimensions	30"L x 30"W x 16.21"D	42"L x 38"W x 18.34"D
Approximate Weight	185 lbs.	276 lbs.

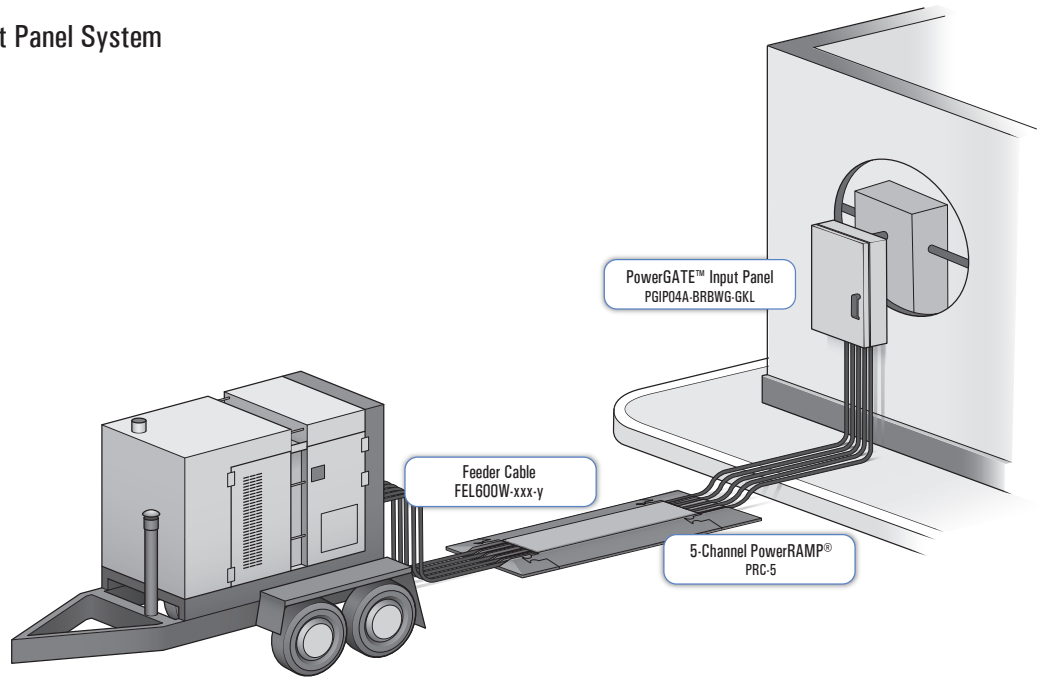
Service Entrance Rated	400 Amp 120/208 VAC	400 Amp 480/277 VAC
Catalog Number	PXM04US13-KE-K-AE	PXM04US43-KE-K-AE
Rating	400 Amp, 3 Phase (H,H,H,N,G), 4-Pole, 5-Wire, 120/208 VAC, 35 KA SCCR	400 Amp, 3 Phase (H,H,H,N,G), 4-Pole, 5-Wire, 480/277 VAC, 35 KA SCCR
Environmental Rating	NEMA Type 3R (Outdoor Use)	
Input	PERMANENT (5) compression single wire lugs (H,H,H), wire range: 500 MCM – 250 MCM, (N,G dual port terminal blocks), wire range: 600 MCM - 2 AWG TEMPORARY (1) set of (5) 16 Series Cam-type, 400 Amp, single pole, Black, Red, Blue, White, Green, (H,H,H,N,G), panel mount inlets	PERMANENT (5) compression single wire lugs (H,H,H), wire range: 500 MCM – 250 MCM, (N,G dual port terminal blocks), wire range: 600 MCM - 2 AWG TEMPORARY (1) set of (5) 16 Series Cam-type, 400 Amp, single pole, Brown, Orange, Yellow, White, Green, (H,H,H,N,G), panel mount inlets
Output	(1) set of (5) dual port compression lugs (H,H,H,N,G), wire range: 600 MCM – 2 AWG; (2) NEMA 5-20 (Edison), 20 Amp, 2-pole, 3-wire, 125 VAC, straight blade duplex receptacles, panel mount	
Disconnect Method	Double Throw Switch	
Overcurrent Protection	PERMANENT – (1) 400 Amp, 600 VAC triple-pole, adjustable electronic, branch-rated circuit breaker, 65 KAIC, 100% rated ACCESSORY – (2) 20 Amp, 125 VAC, single-pole, GFCI, hydraulic magnetic, branch-rated circuit breakers	
Agency Approval	cULus Listed	
Enclosure	Powder Coated Aluminum 5052, 0.1" thick, ANSI 61 gray, wall mounted	
Dimensions	42"L x 38"W x 18.34"D	
Approximate Weight	276 lbs.	276 lbs.

PowerGATE™ Power Input Panel System Diagram

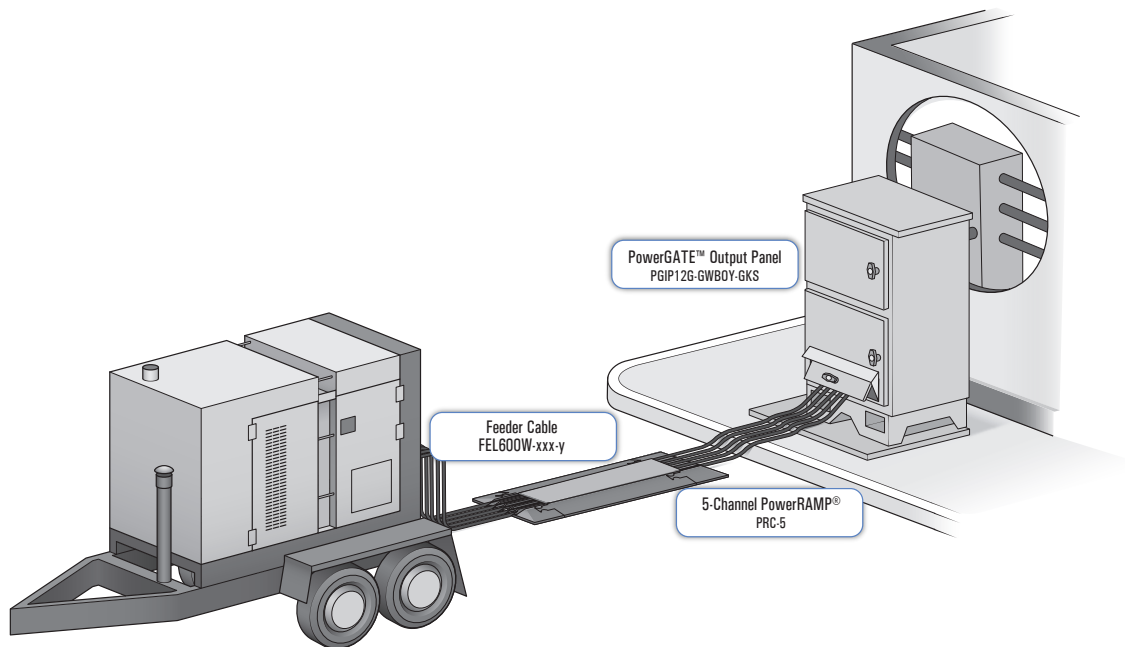
400-800A & 1200-1600A

PowerGATE®
Switches & Panels

400-800A Input Panel System



1200-1600A Input Panel System



100 Amp Compact Power Input Panel

PowerGATE®
Switches & Panels

Temporary Power Connection Point with Cam-Type Connector Input



Front View with Cable Attached and Door Open

Features & Benefits:

- Convenient and economical means of connecting generator power to cellular transmission towers or other utility cabinets in conjunction with a transfer switch
- 16 Series Cam-Type connections save time in emergency situations
- Hinged lower access door supplied with hasp for locking the unit when not in use
- Mounting hole location allows direct replacement of power inlets
- Powder coat finish is corrosion resistant for added durability
- Lightweight, compact aluminum construction for easy installation



Bottom View



Closed View

Specifications & Ordering Information

Catalog No.	OBL1304K7DSS
Rating	100 Amp, Single-phase, 3-Pole, 4-Wire, 120/240 VAC
Enclosure	Aluminum with powder coat gray finish
Input	16 Series Cam-Type double set screw male devices: black, red, white and green
Output	Load side wiring: (1) 2/0-4/0 AWG per terminal
Dimensions	8.5" x 8.5" x 10"H
Approximate Weight	9 lbs.

400 & 800 Amp Power Input Panel

Temporary Power Connection Point with Cam Type Inlets

PowerGATE®
Switches & Panels



Features & Benefits:

- Save critical time in emergency situations through the use of industry standard Cam-Type Connections.
- Save money by eliminating the need for expensive permanent generator installation and maintenance.
- Dead front panel covers electrical parts while panel door is open for added safety.
- Cable entry plate is located inside the panel to eliminate the ability to twist and remove the Cam connections. In addition to reducing theft and tampering, the cable entry plate prevents rodents and reptiles from entering the inner chamber.
- Padlock handle restricts access preventing unauthorized entry.
- Slim enclosure design allows cables to drape against the wall for the lowest profile in the industry.
- Weatherproof construction ensures long life while installed on building exterior.

Features & Benefits (cont.):

- Kirk Key Provision
 - Increase safety by installing a Kirk Key Type D Interlock to prevent two sources of active power at a time.
- Phase Rotation Monitor
 - Quickly monitor the synchronization of phases
- 2-Wire Remote Start Terminals
 - Gain control by connecting an auto or remote start / stop circuit to control the stand by generator during power loss.



400 & 800 Amp Power Input Panel

PowerGATE[®]
Switches & Panels

Temporary Power Connection Point with Cam-Type Inlets

Application:

The PowerGATE™ Power Input Panels are generator-ready to provide safe, reliable, convenient and economical access to temporary electricity in power outage and disaster relief applications.

Safe Reliable Power Backup Systems for:

- Medical / Water Treatment Facilities
- Schools / Universities
- Gas Stations / Grocery / Pharmacy
- Restaurants / Retail
- Security and IT Firms
- Publicly - Traded Companies

400 Amp Specifications & Ordering Information

Catalog Numbers	PGIP04A-BRBWG-GKL	PGIP04A-BOYWG-GKL
Rating	400 Amp, Three-phase (H,H,H,N,G), 4-Pole, 5-Wire, 480 VAC Maximum	400 Amp, Three-phase (H,H,H,N,G), 4-Pole, 5-Wire, 480 VAC Maximum
Input	(1) set of (5) 16 Series Cam-Type Devices Black, Red, Blue, White, Green	(1) set of (5) 16 Series Cam-Type Devices Brown, Orange, Yellow, White, Green
Output	(1) Dual Port Aluminum Lug per Phase, Neutral, Ground-Wire, Range 600 MCM - #2 AWG	(1) Dual Port Aluminum Lug per Phase, Neutral, Ground-Wire, Range 600 MCM - #2 AWG
Agency Approval	cULus Listed	cULus Listed
Enclosure	Textured Powder Coat Aluminum, ANSI 61 Gray NEMA 3R Weather Resistant	Textured Powder Coat Aluminum, ANSI 61 Gray NEMA 3R Weather Resistant
Dimensions	32" H x 24" W x 11.50" D	32" H x 24" W x 11.50" D
Approximate Weight	55 lbs.	55 lbs.

800 Amp Specifications & Ordering Information

Catalog Numbers	PGIP08A-BRBWG-GKL	PGIP08A-BOYWG-GKL
Rating	800 Amp, Three-phase (H,H,H,N,G), 4-Pole, 5-Wire, 480 VAC Maximum	800 Amp, Three-phase (H,H,H,N,G), 4-Pole, 5-Wire, 480 VAC Maximum
Input	(2) Sets of (5) 16 Series Cam-Type Devices Black, Red, Blue, White, Green	(2) Sets of (5) 16 Series Cam-Type Devices Brown, Orange, Yellow, White, Green
Output	(1) Dual Port Aluminum Lug per Phase, Neutral, Ground-Wire, Range 600 MCM - #2 AWG	(1) Dual Port Aluminum Lug per Phase, Neutral, Ground-Wire, Range 600 MCM - #2 AWG
Agency Approval	cULus Listed	cULus Listed
Enclosure	Textured Powder Coat Aluminum, ANSI 61 Grey, TYPE 3R Rainproof	Textured Powder Coat Aluminum, ANSI 61 Grey, TYPE 3R Rainproof
Dimensions	32" H x 24"W x 11.50 "D	32" H x 24"W x 11.50 "D
Approximate Weight	68 lbs.	68 lbs.

1200 & 1600 Amp Power Input Panel

Temporary Power Connection Point with Cam-Type Inlets

PowerGATE®
Switches & Panels



Features & Benefits:

- Save critical time in emergency situations through the use of industry standard Cam-Type connections
- Save money by eliminating the need for expensive permanent generator installation and maintenance
- Bus bars made of 3/8" thick copper enable a short circuit capacity of 22,000 Amps
- Freestanding design eliminates structural stress on buildings
- Weatherproof construction for installation on building exterior ensures long life
- Sturdy forklift slots enable stable transport and installation
- Cable Egress Door
 - Restricts access to terminations and provides cable strain relief
- Bottom / Top Feed Entry
 - Design allows for building wire to be fed from the bottom or top chamber

Features & Benefits (cont.):

- Kirk Key Provision
 - Increase safety by installing a Kirk Key Type D Interlock to prevent two sources of active power at a time.
- Phase Rotation Monitor
 - Quickly monitor the synchronization of phases
- 2-Wire Remote Start Terminals
 - Gain control by connecting an auto or remote start / stop circuit to control the stand by generator during power loss.





1200 & 1600 Amp Power Input Panel

PowerGATE®
Switches & Panels

Temporary Power Connection Point with Cam-Type Inlets

Application:

The PowerGATE™ Power Input Panels are generator-ready to provide safe, reliable, convenient and economical access to temporary electricity in power outage and disaster relief applications.

Integrate Lex Products PowerGATE™ Power Panels into your Emergency Power System to adhere to NEC Article 700, Section 700.3 test and maintenance requirements.

Safe Reliable Power Backup Systems for:

- Medical / Water Treatment Facilities
- Schools / Universities
- Gas Stations / Grocery / Pharmacy
- Restaurants / Retail
- Security and IT Firms
- Publicly - Traded Companies

1200 Amp Specifications & Ordering Information

Catalog Numbers	PGIP12G-GWBRB-GKS	PGIP12G-GWBOY-GKS
Rating	1200 Amp, Three-phase (H,H,H,N,G), 4-Pole, 5-Wire, 60 Hz, 480 VAC Maximum	1200 Amp, Three-phase (H,H,H,N,G), 4-Pole, 5-Wire, 60 Hz, 480 VAC Maximum
Input	(3) Sets of (5) 16 Series Cam-Type Devices Green, White, Black, Red, Blue	(3) Sets of (5) 16 Series Cam-Type Devices Green, White, Brown, Orange, Yellow
Output	Copper bus bar with 1/2" Holes	Copper bus bar with 1/2" Holes
Agency Approval	cETLus Listed	cETLus Listed
Enclosure	Textured Powder Coat 12 gauge galvanized steel, TYPE 3R Rainproof	Textured Powder Coat 12 gauge galvanized steel, TYPE 3R Rainproof
Dimensions	56" H x 35" W x 30" D	56" H x 35" W x 30" D
Approximate Weight	495 lbs.	495 lbs.

1600 Amp Specifications & Ordering Information

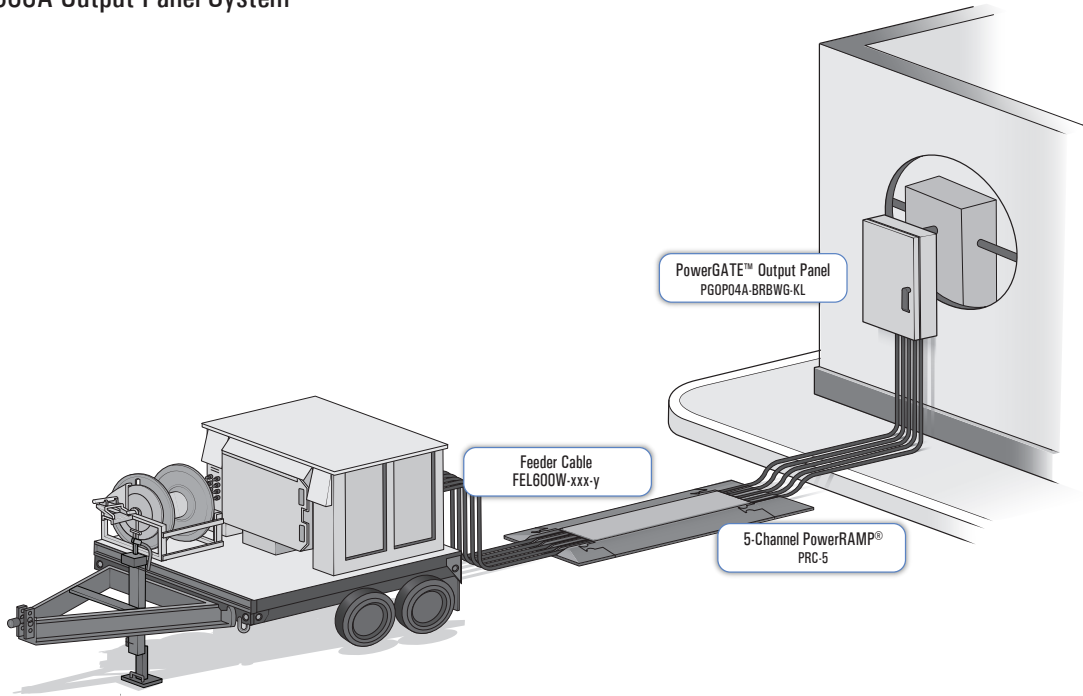
Catalog Numbers	PGIP16G-GWBRB-GKS	PGIP16G-GWBOY-GKS
Rating	1600 Amp, Three-phase (H,H,H,N,G), 4-Pole, 5-Wire, 60 Hz, 480 VAC Maximum	1600 Amp, Three-phase (H,H,H,N,G), 4-Pole, 5-Wire, 60 Hz, 480 VAC Maximum
Input	(4) Sets of (5) 16 Series Cam-Type Devices Green, White, Black, Red, Blue	(4) Sets of (5) 16 Series Cam-Type Devices Green, White, Brown, Orange, Yellow
Output	Copper bus bar with 1/2" Holes	Copper bus bar with 1/2" Holes
Agency Approval	cETLus Listed	cETLus Listed
Enclosure	Textured Powder Coat 12 gauge galvanized steel, TYPE 3R Rainproof	Textured Powder Coat 12 gauge galvanized steel, TYPE 3R Rainproof
Dimensions	56" H x 35" W x 30" D	56" H x 35" W x 30" D
Approximate Weight	505 lbs.	505 lbs.

PowerGATE™ Power Output Panel System Diagram

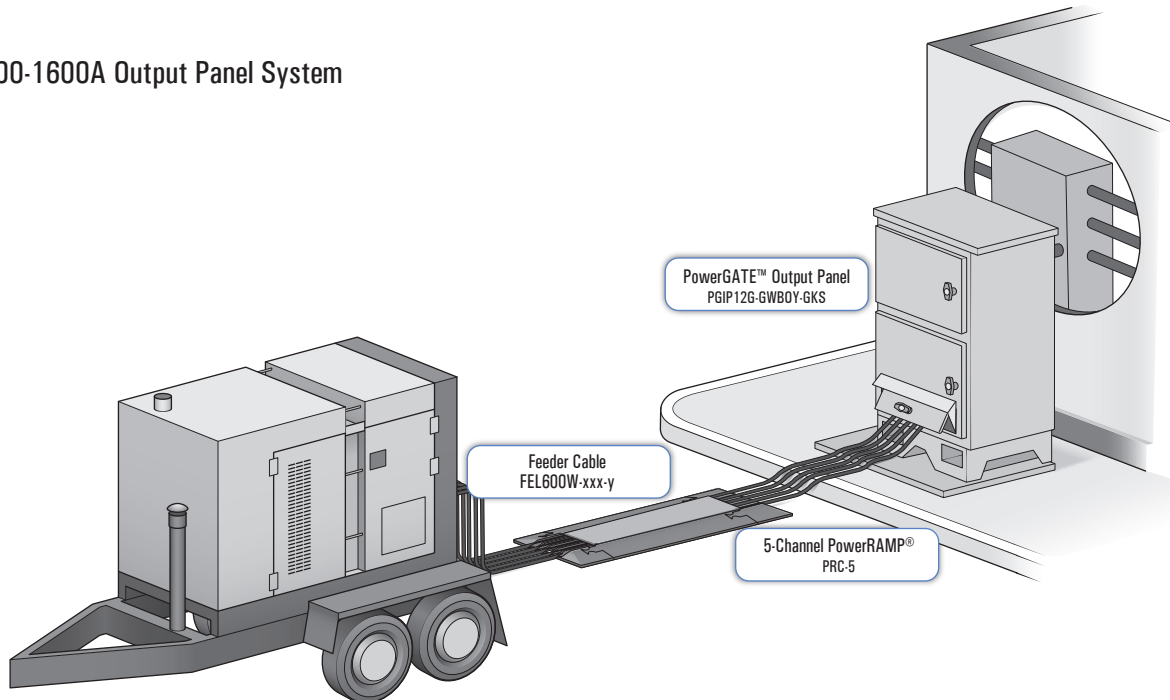
PowerGATE®
Switches & Panels

400-800A & 1200-1600A

400-800A Output Panel System



1200-1600A Output Panel System



400 & 800 Amp Power Output Panel

Temporary Power Connection Point with Cam-Type Outlets

PowerGATE®
Switches & Panels



Application:

The PowerGATE™ Output Panels provide safe, reliable, convenient and economical access to building power for external use and routine testing without the need for an electrician or portable generator.



Features & Benefits:

- Safe and convenient method of accessing building power without the need for an electrician or portable generator for powering external equipment
- Padlock handle restricts access preventing unauthorized entry
- Dead front panel covers electrical parts while panel door is open for added safety
- Cable entry plates create a tamper resistant design that reduces cable theft
- Slim enclosure design allows cables to drape against the wall for the lowest profile in the industry
- Weatherproof construction ensures long life while installed on building exterior
- Kirk Key Provision
 - Increase safety and security by installing a Kirk Key Type D Interlock preventing internal access to more than one piece of equipment at a time





400 & 800 Amp Power Output Panel

PowerGATE[®]
Switches & Panels

Temporary Power Connection Point with Cam-Type Outlets

400 Amp Specifications & Ordering Information

Catalog Numbers	PGOP04A-BRBWG-KL	PGOP04A-BOYWG-KL
Rating	400 Amp, Three-phase (H,H,H,N,G), 4-Pole, 5-Wire, 600 VAC Maximum	400 Amp, Three-phase (H,H,H,N,G), 4-Pole, 5-Wire, 600 VAC Maximum
Input	(1) Dual Port Aluminum Lug per Phase, Neutral, Ground-Wire, Range 600 MCM - #2 AWG	(1) Dual Port Aluminum Lug per Phase, Neutral, Ground-Wire, Range 600 MCM - #2 AWG
Output	(1) set of (5) 16 Series Cam-Type Devices Black, Red, Blue, White, Green	(1) set of (5) 16 Series Cam-Type Devices Brown, Orange, Yellow, White, Green
Enclosure	Textured Powder Coat Aluminum, ANSI 61 Gray NEMA 3R Weather Resistant	Textured Powder Coat Aluminum, ANSI 61 Gray NEMA 3R Weather Resistant
Dimensions	32" H x 24" W x 11.50" D	32" H x 24" W x 11.50" D
Approximate Weight	55 lbs.	55 lbs.

800 Amp Specifications & Ordering Information

Catalog Numbers	PGOP08A-BRBWG-KL	PGOP08A-BOYWG-KL
Rating	800 Amp, Three-phase (H,H,H,N,G), 4-Pole, 5-Wire, 600 VAC Maximum	800 Amp, Three-phase (H,H,H,N,G), 4-Pole, 5-Wire, 600 VAC Maximum
Input	(1) Dual Port Aluminum Lug per Phase, Neutral, Ground-Wire, Range 600 MCM - #2 AWG	(1) Dual Port Aluminum Lug per Phase, Neutral, Ground-Wire, Range 600 MCM - #2 AWG
Output	(2) Sets of (5) 16 Series Cam-Type Devices Black, Red, Blue, White, Green	(2) Sets of (5) 16 Series Cam-Type Devices Brown, Orange, Yellow, White, Green
Enclosure	Textured Powder Coat Aluminum, ANSI 61 Grey, TYPE 3R Rainproof	Textured Powder Coat Aluminum, ANSI 61 Grey, TYPE 3R Rainproof
Dimensions	32" H X 24" W X 11.50" D	32" H X 24" W X 11.50" D
Approximate Weight	68 lbs.	68 lbs.

1200 & 1600 Amp Power Output Panel

Temporary Power Connection Point with Cam Type Outlets

PowerGATE®
Switches & Panels



Features & Benefits:

- Safe and convenient method of accessing building power without the need for an electrician or portable generator for powering external equipment
- Complete routine backup power system testing by connecting a load bank to the PowerGATE™ Output Panel
- Keylocked access door restricts access preventing unauthorized entry
- Free-standing design eliminates structural stress associated with wall mounting large panels
- Weatherproof construction ensures long life while installed on building exterior
- Sturdy forklift slots enable stable transport and installation

Features & Benefits (cont.):

- Kirk Key Provision
 - Increase safety and security by installing a Kirk Key Type D Interlock preventing internal access to more than one piece of equipment at a time
- Bottom / Top Feed Entry
 - Design allows for building wire to be fed from the bottom or top chamber
- Cable Egress Door
 - Restricts access to terminations and provides cable strain relief



1200 & 1600 Amp Power Output Panel

PowerGATE[®]
Switches & Panels

Temporary Power Connection Point with Cam Type Outlets

Application:

The PowerGATE™ Output Panels provide safe, reliable, convenient and economical access to building power for external use and routine testing without the need for an electrician or portable generator.

Safe Reliable Power Backup Systems for:

- Medical Facilities
- Water Treatment
- Universities
- Resorts
- Security and IT Firms
- Non Traditional Event Facilities

1200 Amp Specifications & Ordering Information

Catalog Numbers	PGOP12G-GWBRB-KS	PGOP12G-GWBOY-KS
Rating	1200 Amp, Three-phase (H,H,H,N,G), 4-Pole, 5-Wire, 60 Hz, 600 VAC Maximum	1200 Amp, Three-phase (H,H,H,N,G), 3-Pole, 3-Wire, 60 Hz, 600 VAC Maximum
Input	Copper bus bar with 1/2" Holes	Copper bus bar with 1/2" Holes
Output	(3) Sets of (5) 16 Series Cam-Type Devices Green, White, Black, Red, Blue	(3) Sets of (5) 16 Series Cam-Type Devices Green, White, Brown, Orange, Yellow
Agency Approval	cETLus Listed	cETLus Listed
Enclosure	Textured Powder Coat 12 gauge galvanized steel TYPE 3R Rainproof	Textured Powder Coat 12 gauge galvanized steel TYPE 3R Rainproof
Dimensions	56" H x 35" W x 30" D	56" H x 35" W x 30" D
Approximate Weight	495 lbs.	495 lbs.

1600 Amp Specifications & Ordering Information

Catalog Numbers	PGOP16G-GWBRB-KS	PGOP16G-GWBOY-KS
Rating	1600 Amp, Three-phase (H,H,H,N,G), 4-Pole, 5-Wire, 60 Hz, 600 VAC Maximum	1600 Amp, Three-phase (H,H,H,N,G), 4-Pole, 5-Wire, 60 Hz, 600 VAC Maximum
Input	Copper bus bar with 1/2" Holes	Copper bus bar with 1/2" Holes
Output	(4) Sets of (5) 16 Series Cam-Type Devices Green, White, Black, Red, Blue	(4) Sets of (5) 16 Series Cam-Type Devices Green, White, Brown, Orange, Yellow
Agency Approval	cETLus Listed	cETLus Listed
Enclosure	Textured Powder Coat 12 gauge galvanized steel TYPE 3R Rainproof	Textured Powder Coat 12 gauge galvanized steel TYPE 3R Rainproof
Dimensions	56" H x 35" W x 30" D	56" H x 35" W x 30" D
Approximate Weight	505 lbs.	505 lbs.

Company Switch

Patented, UL Listed Access for Temporary Power

PowerGATE®
Switches & Panels



US Patent
Numbers 7,136,278
& 7,254,009

Catalog Number:

See Ordering Information table.

Applications:

The patented Lex Products PowerGATE™ Company Switch provides a safe and convenient means of supplying access to temporary power. The space saving, metal enclosure provides both lug style as well as IEC 60309 pin & sleeve or 16 Series Cam-Type outputs and is available in both beige and black finishes. Connections are protected by a 100% rated electronic trip main breaker. Company Switches with Cam-Type connections are available in 100, 200 and 400 Amp ratings, with NEMA 1 and NEMA 3R rated enclosures and are cULus Listed. Company Switches with pin & sleeve connections are available in 60 and 100 Amp ratings, in a NEMA 1 rated enclosure and are cULus Listed.



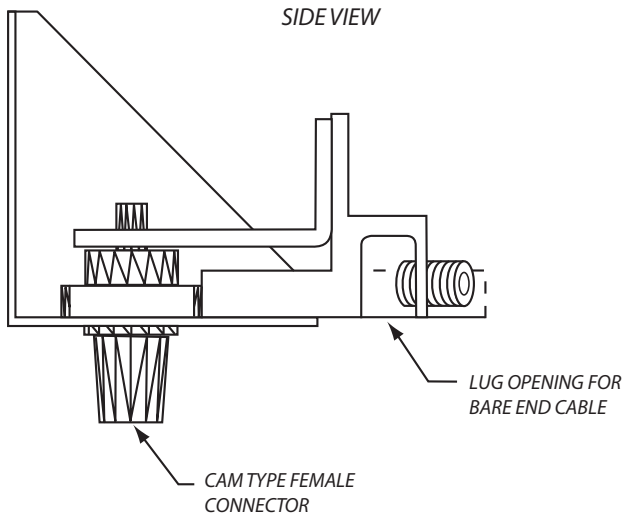
Features & Benefits:

- PowerGATE™ Company Switch design accommodates both Cam-Type or IEC 60309 pin & sleeve and lug outputs in one wiring chamber, resulting in a compact design
- Circuit breaker rated at 65,000 AIC (Amps Interrupting Capacity) to exceed requirements for installed dimmers
- Units feature an electronic trip circuit breaker that is 100% rated, enabling continuous operation at maximum capacity
- For enhanced safety, the access door to Cam-Type or IEC 60309 pin & sleeve and lug connections is interlocked to the main breaker, which means the breaker can only be turned on when the access door is closed
- Power shuts off automatically when the access door is opened, eliminating the ability to make or break a connection under load
- Unique arrangement of both Cam-Type or IEC 60309 pin & sleeve and lug terminations enables both sets of cable to drape downward for lower profile when mounted against a wall
- Both Cam-Type or IEC 60309 pin & sleeve and lug connections are behind the access door, helping to eliminate accidental disconnection, unauthorized access and/or tampering with connections
- Circuit breakers and connection chamber housed behind gasketed door
- Circuit breaker door allows for lockout/tagout and restricted access as needed
- NEMA 3R Weather Resistant version available with Cam-Type connections
- The chassis ground can be isolated from the main ground for sensitive audio applications

Company Switch

Patented, UL Listed Access for Temporary Power

PowerGATE[®]
Switches & Panels



UL US LISTED
TYPE 1 Indoor or
TYPE 3R

Ordering Information

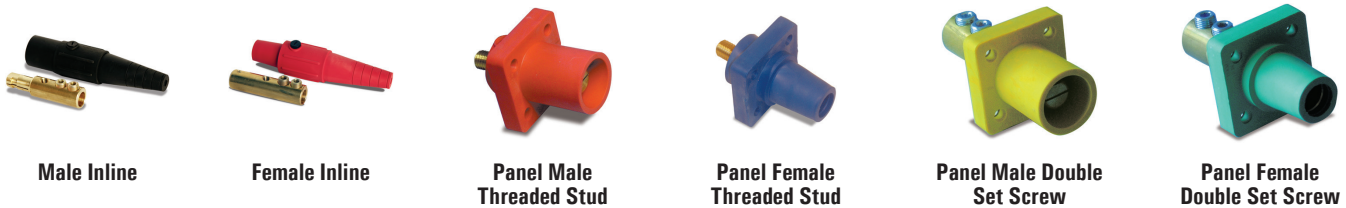
	400 AMP	200 AMP	100 AMP
Catalog Number (NEMA 1 Indoor)	CS-400F-C6DS1 CS-400F-C6DB1 (reverse ground neutral)	CS-200F-C6DS1 CS-200F-C6DB1 (reverse ground neutral)	CS-100F-C6DS1 CS-100F-C6DB1 (reverse ground neutral)
Catalog Number (NEMA 3R Weather Resistant)	CS-400F-C6DS3 CS-400F-C6DB3 (reverse ground neutral)	CS-200F-C6DS3 CS-200F-C6DB3 (reverse ground neutral)	CS-100F-C6DS3 CS-100F-C6DB3 (reverse ground neutral)
Rating	400 Amp, Three-phase, 120/208Y VAC	200 Amp, Three-phase, 120/208Y VAC	100 Amp, Three-phase, 120/208Y VAC
Overcurrent Protection	65,000 AIC Main Breaker 100% Rated	65,000 AIC Main Breaker 100% Rated	65,000 AIC Main Breaker 100% Rated
Output	(6) 16 Series Cam-Type devices: Black - Hot Blue - Hot Red - Hot (2) White - Neutral Green - Ground	(6) 16 Series Cam-Type devices: Black - Hot Blue - Hot Red - Hot (2) White - Neutral Green - Ground	(6) 16 Series Cam-Type devices: Black - Hot Blue - Hot Red - Hot (2) White - Neutral Green - Ground
Cabinet Finish Color	Beige or matte black powder coat For black finish, add suffix "-BLK" to catalog number	Beige or matte black powder coat For black finish, add suffix "-BLK" to catalog number	Beige or matte black powder coat For black finish, add suffix "-BLK" to catalog number
Dimensions	45.22" H x 20.28" W x 9.33" D	37" H x 20.28" W x 9.33" D	37" H x 20.28" W x 9.33" D
Approximate Weight	130 lbs.	123 lbs.	123 lbs.

NOTES: For 5-Wire, replace 6 with 5 in catalog number

16 Series Cam-Type Devices

Accommodates #6 AWG - 4/0 Cable

PowerPARTS™
Wiring Devices

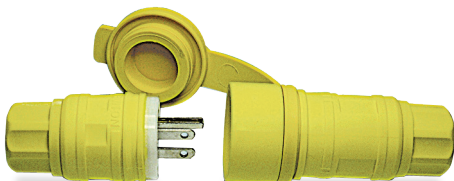


Rating	Cable Size (AWG) (Recommended cable size in bold)	Male Inline	Female Inline	Panel Male Threaded Stud	Panel Female Threaded Stud	Panel Male Double Set Screw	Panel Female Double Set Screw
400 Amp 600 VAC	2/0-4/0	CLS40MB	CLS40FB	640MTSP	640FTSP	640MP	640FP
400 Amp 600 VAC	#2-2/0	CLS20MB	CLS20FB	640MTSP	640FTSP	640MP	640FP
400 Amp 600 VAC	#6-#2	CLS2MB	CLS2FB	640MTSP	640FTSP	—	—

Add suffix to part number to specify color: A = Black, B = White, C = Red, D = Blue, E = Green, Y = Yellow, BR = Brown, O = Orange

Male to (3) Female	Paralleling T	Tapping T	Double Female	Double Male	Protective Cover	Snap Back Cover
16MFFF	MMF	MFF	RFF	MMM	Male: PCM Female: PCF	CL40WTC-L-125

Add suffix to part number to specify color: A = Black, B = White, C = Red, D = Blue, E = Green, Y = Yellow, BR = Brown, O = Orange



Wetguard™ NEMA Wiring Devices

- EPTR rubber housing is water and corrosion resistant
- Compression-type strain relief is watertight and prevents cord slippage

Category	NEMA Config	Poles/ Wires	AC Volts	Male Plug	Female Connector
15 Amp Devices – Straight Blade	5-15	2-Pole, 3-Wire	125	14W47	15W47
20 Amp Devices – Locking	L21-20	4-Pole, 5-Wire	Three-phase, 120/208Y	26W81	27W81
30 Amp Devices – Locking	L21-30	4-Pole, 5-Wire	Three-phase, 120/208Y	28W81	29W81

Feeder Cables with Cam-Type Devices

PowerFLEX™
Cable Assemblies

Extensions and Tie-In Sets

Cam-Type extensions are made with Single-Pole Cam-Type Devices and either Type W (Industrial) or Type SC (Entertainment) feeder cable.



Cam-Type Extensions

Rating	Male Connector	Cable	Female Connector	Catalog No.
400 Amp, 600 VAC	16 Series Inline	4/0 AWG Type W	16 Series Inline	FEL600W-XXX-y
400 Amp, 600 VAC	16 Series Inline	4/0 AWG Type SC	16 Series Inline	FEL6000-XXX-y
200 Amp, 600 VAC	16 Series Inline	2/0 AWG Type W	16 Series Inline	FEL500W-XXX-y
200 Amp, 600 VAC	16 Series Inline	2/0 AWG Type SC	16 Series Inline	FEL5000-XXX-y
100 Amp, 600 VAC	16 Series Inline	#2 AWG Type SC	16 Series Inline	FEL3000-XXX-y
100 Amp, 600 VAC	(5) 16 Series Inline	#2 AWG Type SC (5) Wire Banded	(5) 16 Series Inline	FBL305W-XXX

Add suffix to part number to specify color: A = Black, B = White, C = Red, D = Blue, E = Green, Y = Yellow, BR = Brown, O = Orange
XXX to specify cable length



Individual Feeder Tails

Rating	Male Connector	Cable	Female Connector	Catalog No.
400 Amp, 600 VAC	Bare Cable End	4/0 AWG Type W; 5 ft	(1) 16 Series Inline; Black	TLL60WF-5-A
400 Amp, 600 VAC	Bare Cable End	4/0 AWG Type W; 10 ft	(1) 16 Series Inline; Black	TLL60WF-10-A
400 Amp, 600 VAC	(1) 16 Series Inline; Black	4/0 AWG Type W	Bare Cable End	TLL60WM-5-A
400 Amp, 600 VAC	(1) 16 Series Inline; Black	4/0 AWG Type W	Bare Cable End	TLL60WM-10-A

Tails are to be used by authorized personnel only.
Contact for specific lengths.

Bare End Tie-In Sets

Rating	Male Connector	Cable	Female Connector	Catalog No.
400 Amp, 600 VAC	Bare Cable End	4/0 AWG Type W	(5) 16 Series Inline	TS60WF-XXX-y
200 Amp, 600 VAC	Bare Cable End	2/0 AWG Type W	(5) 16 Series Inline	TS50WF-XXX-y
100 Amp, 600 VAC	Bare Cable End	#2 AWG Type W	(5) 16 Series Inline	TS300WF-XXX-y

Tie-In sets are to be used by authorized personnel only.
XXX to specify cable length

Soft Siamese and Pin & Sleeve Extensions

PowerFLEX™
Cable Assemblies



Soft Siamese

- Add -R for Female, Male, Male Configuration

Rating	Male Connector	Cable	Center Section	Female Connector	Catalog No.
400 Amp, 600 VAC	16 Series Inline	4/0 AWG Type SC	Molded Y	(2) 16 Series Inline	SS6000-C-y
200 Amp, 600 VAC	16 Series Inline	2/0 AWG Type SC	Molded Y	(2) 16 Series Inline	SS5000
100 Amp, 600 VAC	16 Series Inline	#2 AWG Type SC	Crimp with Y heat shrink boot	(2) 16 Series Inline	SS3000

Add suffix to part number to specify color: A = Black, B = White, C = Red, D = Blue, E = Green, Y = Yellow, BR = Brown, O = Orange



Pin & Sleeve Extensions

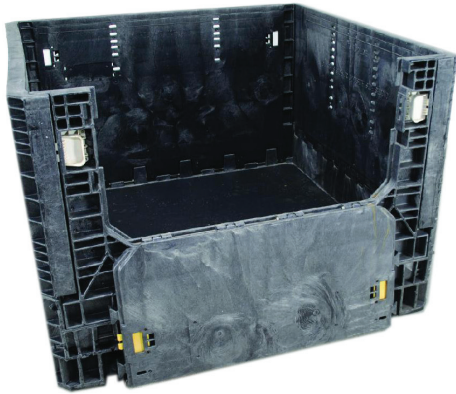
- Industrial grade watertight IEC 60309 pin and sleeve devices
- Double insulated extra hard usage Type W cable

Rating	Male Connector	Cable	Female Connector	Configuration	Catalog No.
100 Amp, Three-phase, 4-Pole, 5-Wire, 120/208Y VAC	5100P9W	2/5 Type W	5100C9W	IEC 60309	PE2/5W-XXX-5100
60 Amp, Three-phase, 4-Pole, 5-Wire, 120/208Y VAC	560P9W	6/5 Type W	560C9W	IEC 60309	PE6/5W-XXX-560

XXX to specify cable length

Collapsible Storage / Shipping Bin

Plastic Bulk Container



Catalog Number:

Buckhorn

- DGR454834SBN-2 (New)
- DGR454834SB-2 (Refurbished)

Lid

- HL4548-N (New)
- HL4548 (Refurbished)

Features & Benefits:

- Durable bulk container has load capacity of 1500lbs.
- 4-way pallet base allows entry for accessibility on all sides
- Two fold down doors for ease of packing and unpacking
- Increase organization and efficiency of operation
- Easy to clean, non-reactive plastic material
- Collapsible for space saving while not in use
- Forklift pockets



Specifications:

Material: Non-reactive plastic

- **Container Lid:** High Density Polyethylene

Exterior Dimensions: 45 x 48 x 34

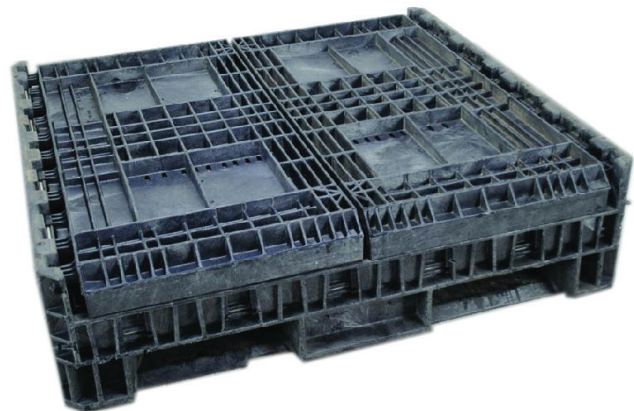
- **Container Lid:** 45.5 x 48.5 x 3.7

Interior Dimensions: 41 x 44 x 27

Collapsed Height: 14 in.

Weight Capacity: 1500 lbs.

Product Weight: 145 lbs. (empty)



LED and Fluorescent Portable Work Lights

LuxCommander®
Portable Work Lights



Features & Benefits:

- Provides three times more light output than conventional fluorescent fixtures for brighter and safer worksites
- Rugged, shock-absorbing aluminum frame, polycarbonate shell, polyurethane caps and lamp holders provide protection against accidental drops and lengthen fixture life
- Environmentally sealed for safe use in damp and wet locations
- Delivers approximately 20,000 lamp hours, reducing replacement lamp costs and downtime
- High power factor ballast offers twice the energy savings of conventional fluorescent lamps
- Feed thru wiring for easy daisy-chaining where multiple lights are required
- Lighter in weight and more compact than conventional fluorescent fixtures for convenience
- Hanging straps enable easy suspension
- Optional emergency battery backup version provides 60 minutes of power for uninterrupted performance
- Also available in 240 and 277 VAC versions

LED

Catalog Number			Number of Lamps	Lumens	Max. Lamp Wattage	Max. Lamp Lifetime	Voltage	Input Cord Length	Fixture Length	Weight
B3700	-LED	-Y	(4) T8	6,400	12W	50,000 Hrs.	120VAC	15'	5'6"	12 lbs.
B3700	-LED	-B								
B6700	-LED	-Y	(3) T5	6,300	16.5W	40,000 Hrs.			3'3"	9 lbs.
B6700	-LED	-B								

Fluorescent

Catalog Number			Number of Lamps	Lumens	Max. Lamp Wattage	Max. Lamp Lifetime	Voltage	Input Cord Length	Fixture Length	Weight
B3700	-FL	-Y	(4) T8	9,200	32W	24,000 Hrs.	120VAC	15'	5'6"	12 lbs.
B3700	-FL	-B								
B6700	-FL	-Y	(3) T5	8,200	40W	10,000 Hrs.			3'3"	9 lbs.
B6700	-FL	-B								
B6700	-EM						10.5 lbs.			
B6700	-EM	-B								

PowerRAMP® Cable Protectors

5-Channel Crossover Cable Protector

PowerRAMP®
Cable Protectors



Features & Benefits:

- Heavy duty, non-conductive polyurethane construction provides safe crossing for pedestrians and vehicles while protecting electrical cables and hose lines
- Rugged industry standard connectors with exclusive “slip notch” friction release design provides easy mating and un-mating
- Mates with major cable protector brands and products
- 5-channel design can accommodate up to 1.25 inch diameter cables and hoses
- 1.625 inch wide center channel allows for up to #2 AWG 5-wire banded sets
- Hinged lid provides easy access for insertion and removal of cables and hoses
- Exclusive tread design provides excellent traction
- Made from UV stabilized material for prolonged use in direct sunlight
- Company name or logo can be molded into lid of Crossover Cable Protector for easy identification

Typical Application:

Protects cables and hoses from damage when run across roads, parking lots, sidewalks and pathways, providing safe crossing for pedestrian and vehicle traffic. Ideal for indoor and outdoor applications including entertainment venues, sporting events, convention centers, festivals, amusement parks, public events, construction sites, temporary power and disaster relief.

Catalog No.	Descriptions	Length	Width	Height	Channel Height	Channel Width	Weight	Channels
PRC-5*	5-Channel Crossover	35.5 in / 634 mm	19.75 in / 901.7 mm	2 in / 51 mm	(5) 1.25 in / 32 mm	(4) 1.25 in / 32 mm (1) 1.625 in / 41.3 mm	27 lbs. 12.2 kg	5

* - Add “BK” after catalog number for black lid and black base / Custom colors available. Consult your sales representative for details.



Generator KVA Rating to Amperage Conversion Chart

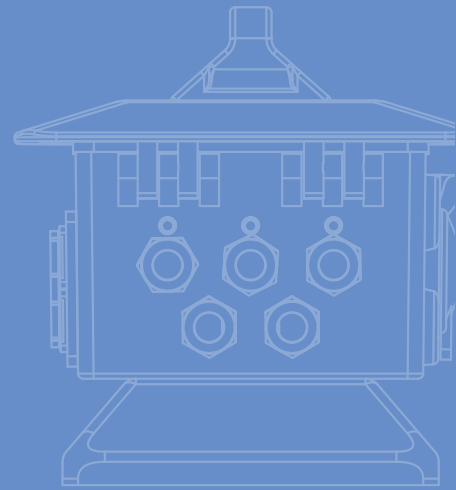
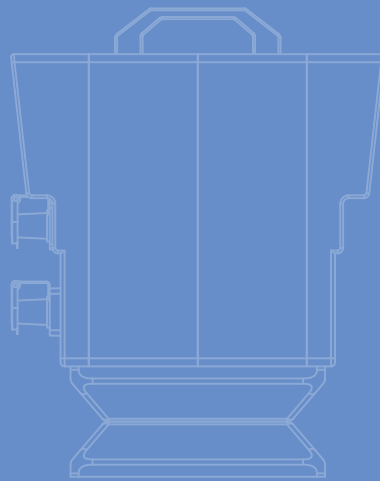
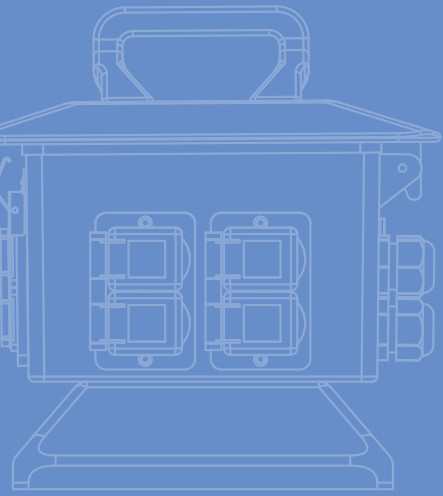
80% Power Factor

kV•A	kW	208V	220V	240V	380V	440V	480V	600V	2400V	3300V	4160V
6.3	5	17.5	16.5	15.2	9.6	8.3	7.6	6.1			
9.4	7.5	26.1	24.7	22.6	14.3	12.3	11.3	9.1			
12.5	10	34.7	33	30.1	19.2	16.6	15.1	12			
18.7	15	52	49.5	45	28.8	24.9	22.5	18			
25	20	69.5	66	60.2	38.4	33.2	30.1	24	6	4.4	3.5
31.3	25	87	82.5	75.5	48	41.5	37.8	30	7.5	5.5	4.4
37.5	30	104	99	90.3	57.6	49.8	45.2	36	9.1	6.6	5.2
50	40	139	132	120	77	66.5	60	48	12.1	8.8	7
62.5	50	173	165	152	96	83	76	61	15.1	10.9	8.7
75	60	208	198	181	115	99.5	91	72	18.1	13.1	10.5
93.8	75	261	247	226	143	123	113	90	22.6	16.4	13
100	80	278	264	240	154	133	120	96	24.1	17.6	13.9
125	100	347	330	301	192	166	150	120	30	21.8	17.5
156	125	433	413	375	240	208	188	150	38	27.3	22
187	150	520	495	450	288	249	225	180	45	33	26
219	175	608	577	527	335	289	264	211	53	38	31
250	200	694	660	601	384	332	301	241	60	44	35
312	250	866	825	751	480	415	376	300	75	55	43
375	300	1040	990	903	576	498	451	361	90	66	52
438	650	1220	1155	1053	672	581	527	422	105	77	61
500	400	1390	1320	1203	770	665	602	481	120	88	69
625	500	1735	1650	1504	960	830	752	602	150	109	87
750	600	2080	1980	1803	1150	996	902	721	180	131	104
875	700	2430	2310	2104	1344	1274	1052	842	210	153	121
1000	800	2780	2640	2405	1540	1330	1203	962	241	176	139
1125	900	3120	2970	2709	1730	1495	1354	1082	271	197	156
1250	1000	3470	3300	3009	1920	1660	1504	1202	301	218	174
1563	1250	4350	4130	3740	2400	2080	1885	1503	376	273	218
1875	1500	5205	4950	4520	2880	2490	2260	1805	452	327	261
2188	1750			5280	3350	2890	2640	2106	528	380	304
2500	2000			6020	3840	3320	3015	2405	602	436	348
2812	2250			6780	4320	3735	3400	2710	678	491	392
3125	2500			7520	4800	4160	3740	3005	752	546	435
3750	3000			9040	5760	4980	4525	3610	904	654	522
4375	6500			10550	6700	5780	5285	4220	1055	760	610
5000	4000			12040	7680	6640	6035	4810	1204	872	695



Wire Conversion Chart

Wire Conversion Chart - American Wire Gauge to square millimeters							
AWG	mm ²	AWG	mm ²	AWG	mm ²	AWG	mm ²
30	0.05	18	0.75	6	16	4/0	120
28	0.08	17	1.0	4	25	300MCM	150
26	0.14	16	1.5	2	35	350MCM	185
24	0.25	14	2.5	1	50	500MCM	240
22	0.34	12	4.0	1/0	55	600MCM	300
21	0.38	10	6.0	2/0	70	750MCM	400
20	0.50	8	10	3/0	95	1000MCM	500



www.lexproducts.com
info@lexproducts.com
Toll Free: 800.643.4460
Fax: 203.363.3742