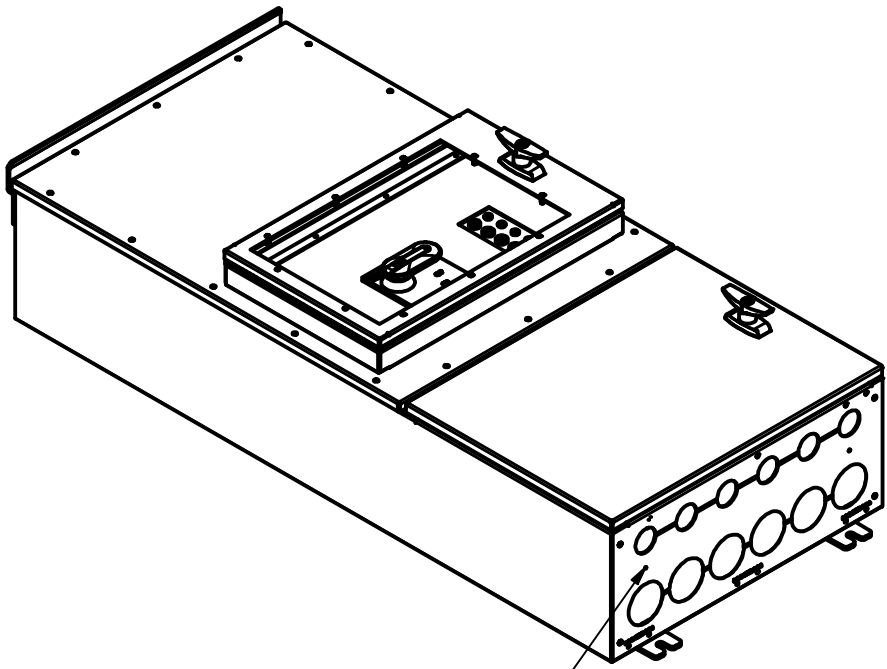
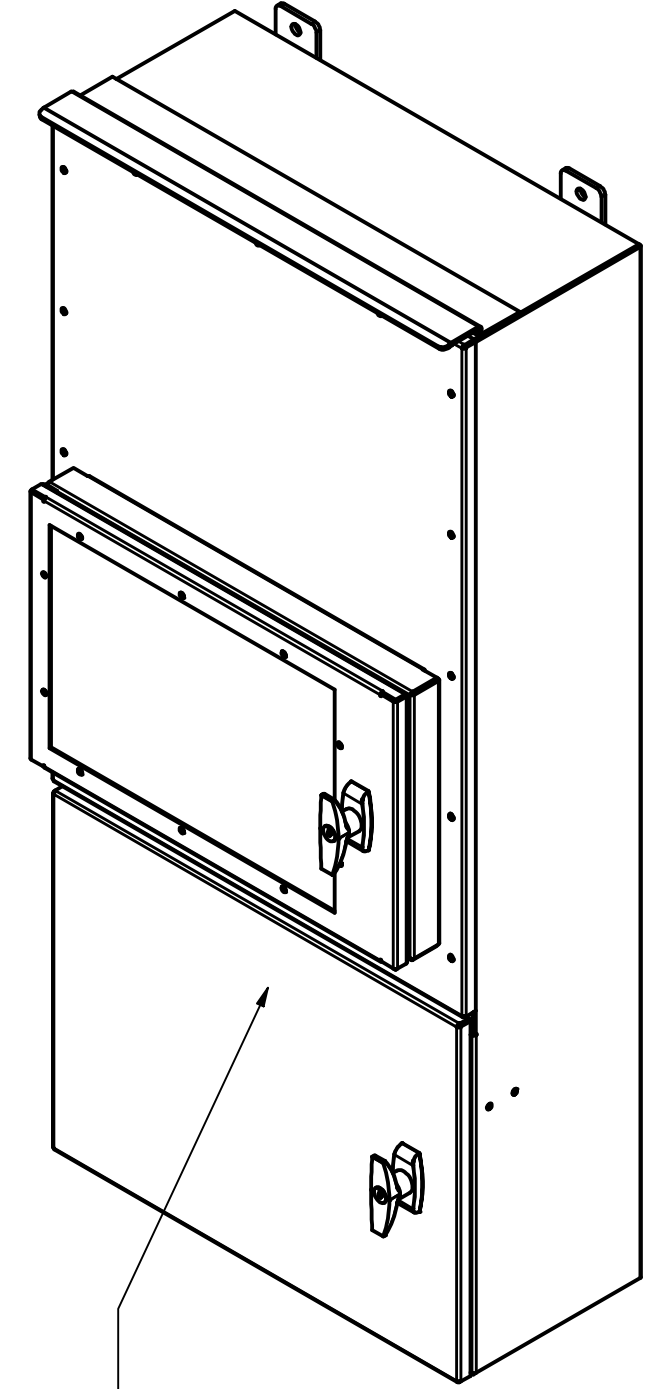
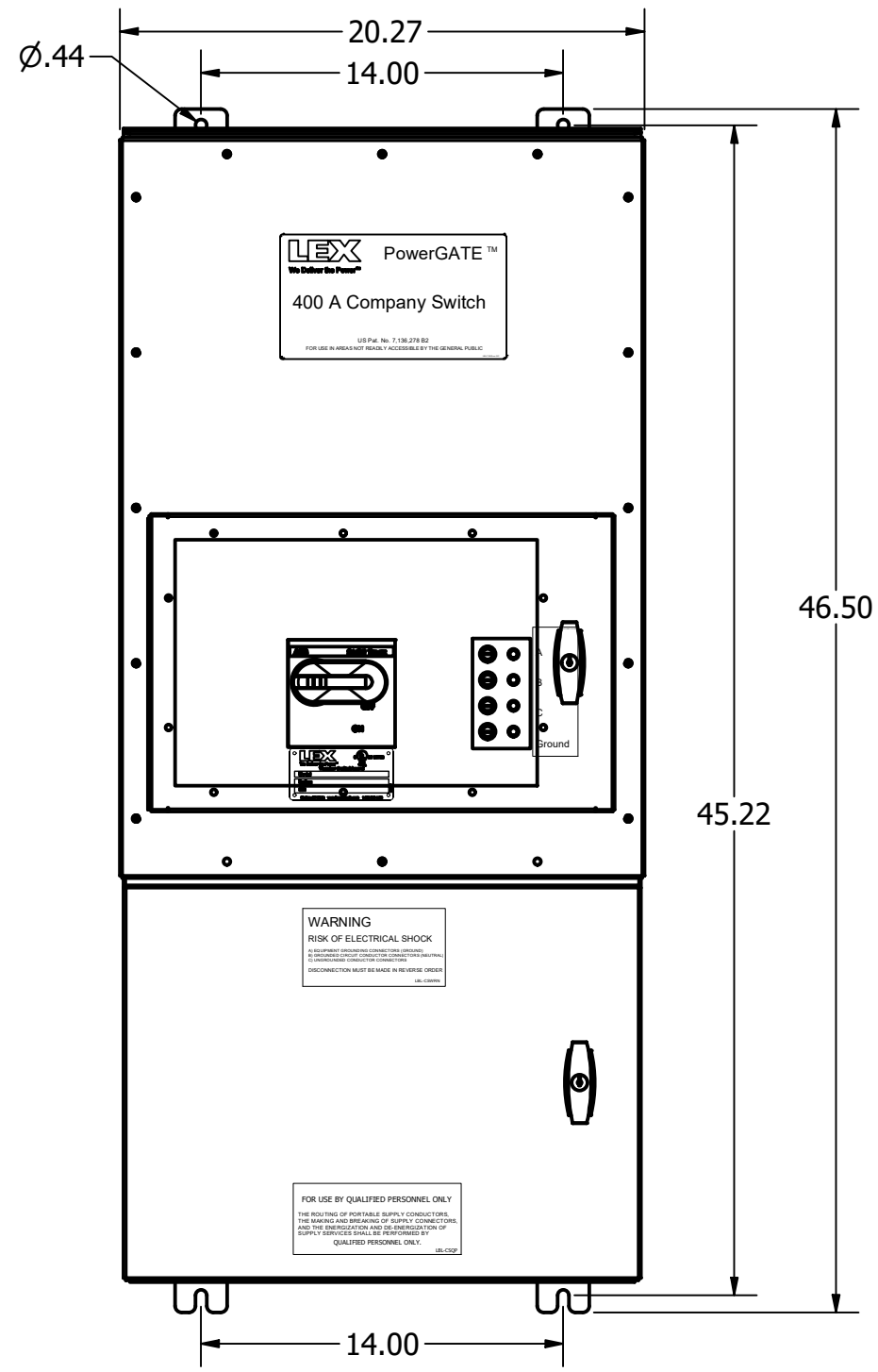
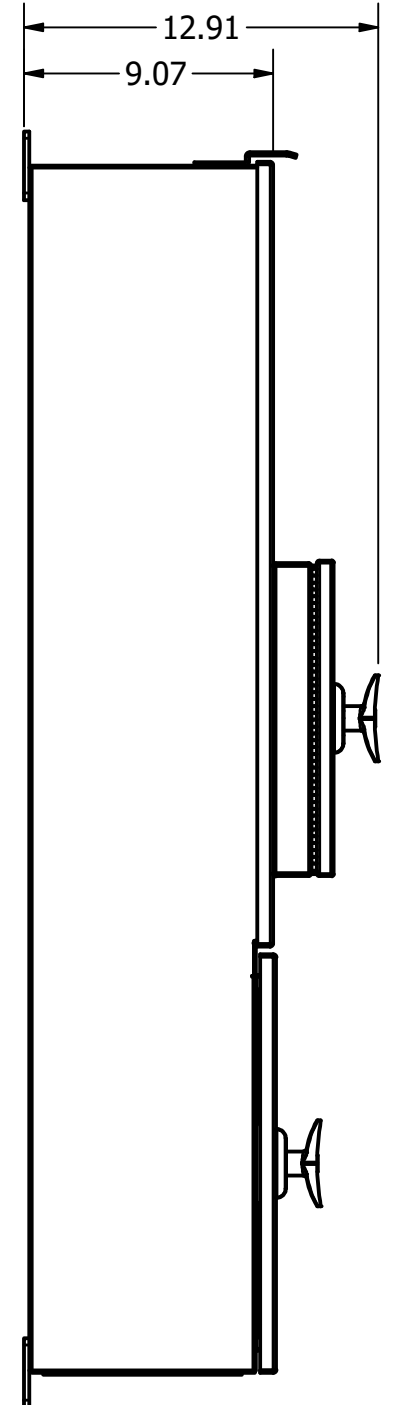
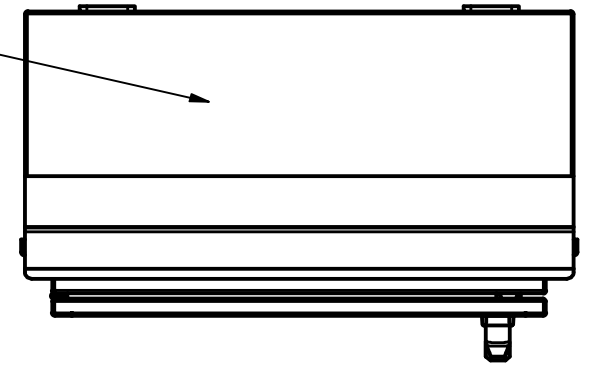


# CS-400F-C6DS3

- 1
- 2
- 3
- 4
- 5
- 6

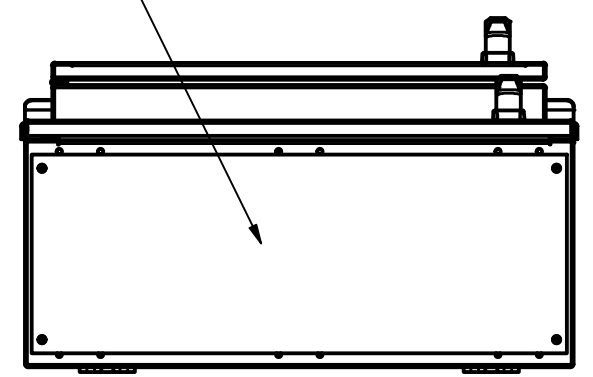
<b>[1] Product Identity</b>	<b>[4] Gender</b>
CS Company Switch	B Reverse Both
<b>[2] Current Rating</b>	G Reverse Ground
200F 200A	N Reverse Neutral
100F 100A	S Straight
60F 60A	
<small>Other current ratings available Consult Factory</small>	
<b>[3] Output Connections</b>	<b>[5] Environmental Rating</b>
C5D 5 Wire Cam Type and Lugs	1 Type 1 - Indoor
C6D 6 Wire Cam Type and Lugs	3 Type 3R - Outdoor/Raintight
<small>6 Wire consists of a double neutral configuration</small>	<small>Type 3R units may be used indoors</small>
<b>[6] Color/Finish</b>	
(blank) Sand	
-BLK Black, matte	

Conduit entry from top only,  
at least 1" in from sides



Cover Plate  
Removed

Cover Plate



BOTTOM VIEW

All output connectors are in this chamber behind a lockable door. Safety interlock will trip the breaker when the door is opened to prevent termination while connectors are live.

Environmental Rating: Type 3R, Outdoor  
 Dimensions: 20.27W /46.50L/9.33D  
 Powder Coat Finish: [ ] Sand or [ ] Matte Black  
 Wire range: (1) 500 KCM - 3/0 AWG per phase  
 (2) 500 KCM - 4 AWG, Neutral  
 (1) 500 KCM - 4 AWG, Ground  
 Wire type: Aluminum/Copper gauged accordingly

Output Connections: (6) Cam Type connectors, Double Neutral, Straight  
 (6) Lugs for bare wire connection, in parallel with Cam Type connectors

Rating: 208Y/120V, 400A, 50/60Hz  
 cULus Listed, E227821

Approved By

Position: \_\_\_\_\_  
Company: \_\_\_\_\_  
Name: \_\_\_\_\_

THE INFORMATION CONTAINED HEREIN IS PROPRIETARY TO LEX PRODUCTS CORP AND SHALL NOT BE REPRODUCED OR DISCLOSED IN WHOLE OR IN PART OR USED FOR ANY DESIGN OR MANUFACTURE EXCEPT WHEN SUCH USER POSSESSES WRITTEN AUTHORIZATION FROM LEX PRODUCTS CORP.		<b>LEX</b> We Deliver the Power™		LEX PRODUCTS CORP. 15 Progress Drive, Shelton, CT 06484	
ENCLOSURE MATERIAL: 14GA CRS		DRAWN BY: JV CHECKED BY:	DATE: 1/23/2019	TITLE: PowerGATE™ Company Switch	
©2012 LEX PRODUCTS CORP.		QUOTE NO.:	PART NUMBER: CS-400F-C6DS3	REV. 005	SCALE: 1/8 SHEET 1 OF 1