

CS-100F-C6DS1

1 2 3 4 5 6

| | |
|----|------------------|
| 1 | Product Identity |
| CS | Company Switch |

| | |
|------|----------------|
| 2 | Current Rating |
| 200F | 200A |
| 100F | 100A |
| 60F | 60A |

Other current ratings available Consult Factory

| | |
|-----|--------------------------|
| 3 | Output Connections |
| C5D | 5 Wire Cam Type and Lugs |
| C6D | 6 Wire Cam Type and Lugs |

6 Wire consists of a double neutral configuration

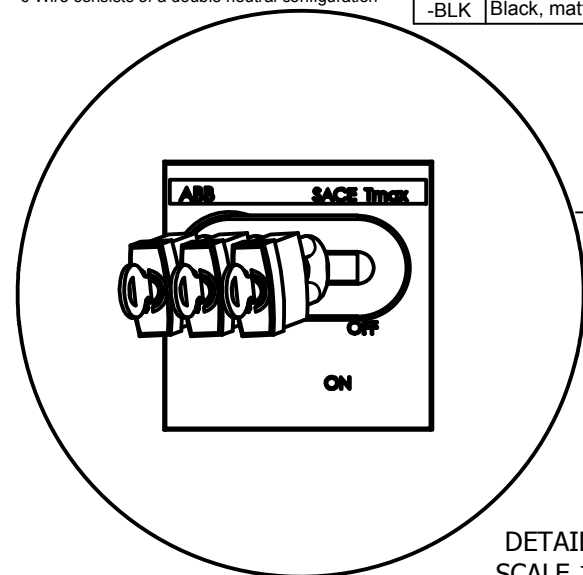
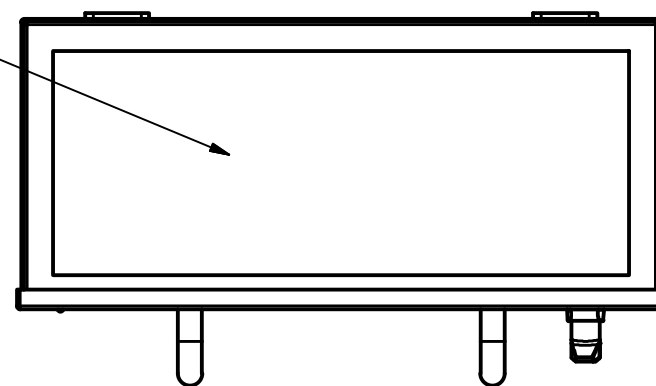
| | |
|---|-----------------|
| 4 | Gender |
| B | Reverse Both |
| G | Reverse Ground |
| N | Reverse Neutral |
| S | Straight |

| | |
|---|-----------------------------|
| 5 | Environmental Rating |
| 1 | Type 1 - Indoor |
| 3 | Type 3R - Outdoor/Raintight |

Type 3R units may be used indoors

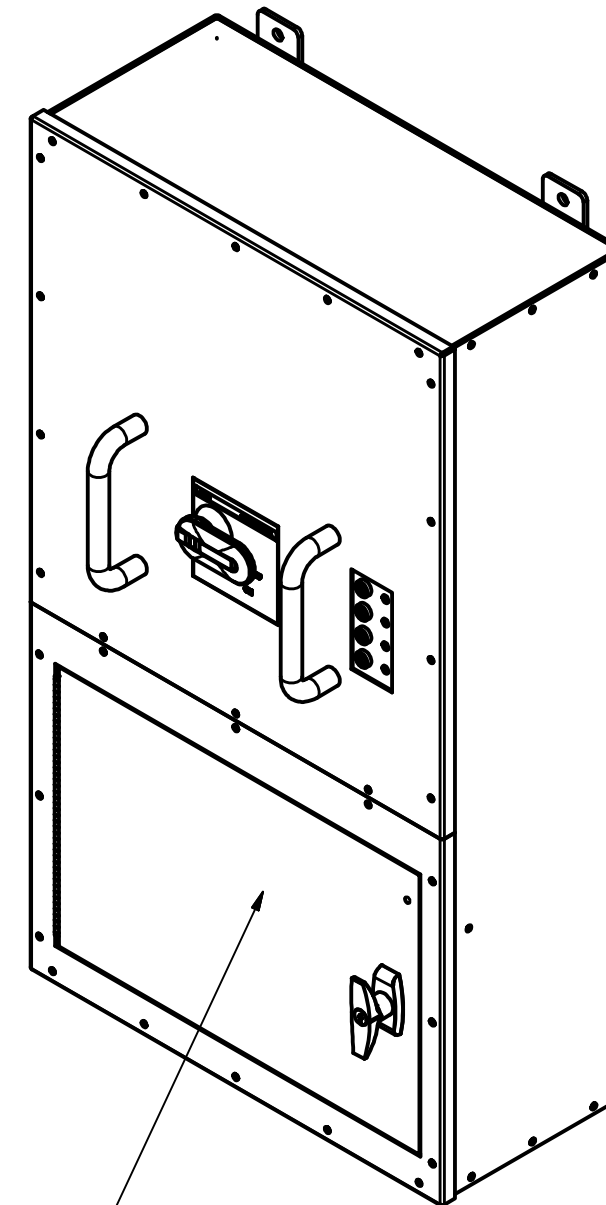
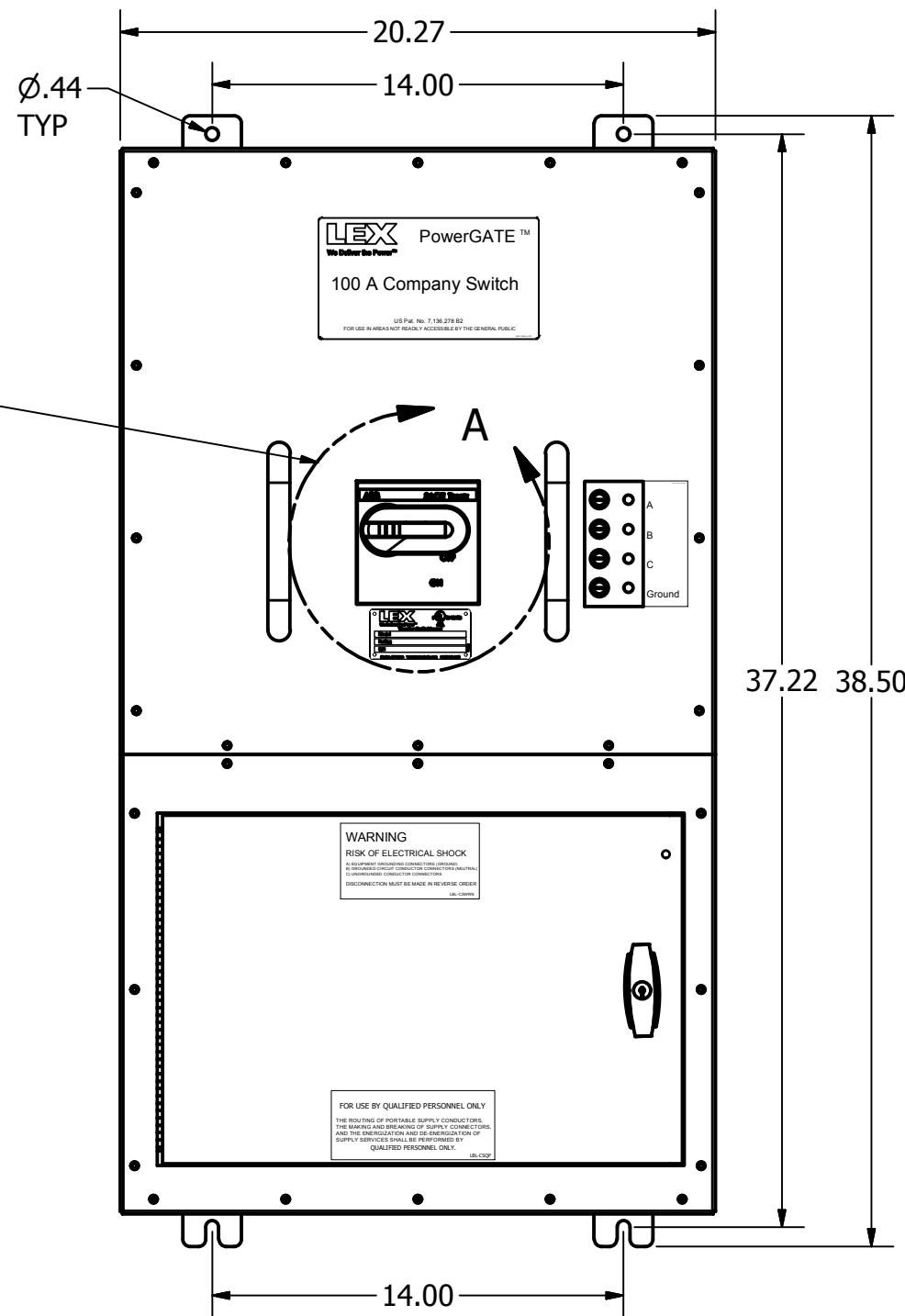
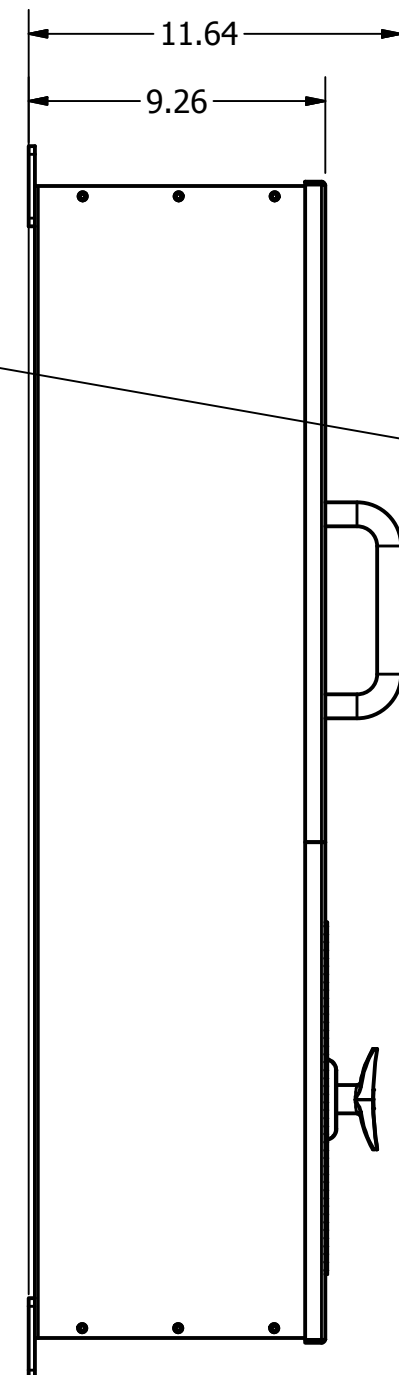
| | |
|---------|--------------|
| 6 | Color/Finish |
| (blank) | Sand |
| -BLK | Black, matte |

Conduit entry from top only,
at least 1" in from sides

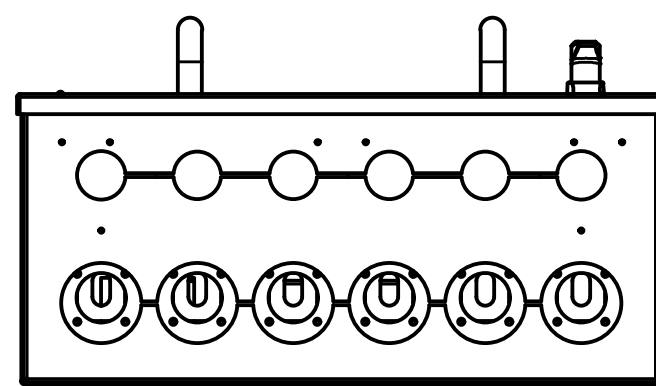


DETAIL A
SCALE 1 / 3

OSHA lockout/tagout compliant
handle may be locked in the
'OFF' position (Locks not included).



All output connectors are in this
chamber behind a lockable door.
Safety interlock will trip the breaker
when the door is opened to prevent
termination while connectors are live.



BOTTOM VIEW

Environmental Rating: Type 1, Indoor

Dimensions: 20.27W /38.50L/9.33D

Powder Coat Finish: [] Sand or [] Matte Black

Wire range: (1) 500 KCM - 3/0 AWG per phase

(2) 500 KCM - 4 AWG, Neutral

(1) 500 KCM - 4 AWG, Ground

Wire type: Aluminum/Copper gauged accordingly

Output Connections: (6) Cam Type connectors, Double Neutral, Straight

(6) Lugs for bare wire connection, in parallel
with Cam Type connectors

Rating: 208Y/120V, 100A, 50/60Hz

cULus Listed, E227821

Approved By

Position:

Company:

Name:

THE INFORMATION CONTAINED HEREIN
IS PROPRIETARY TO LEX PRODUCTS
CORP AND SHALL NOT BE
REPRODUCED OR DISCLOSED IN
WHOLE OR IN PART OR USED FOR
ANY DESIGN OR MANUFACTURE EXCEPT
WHEN SUCH USER POSSESSES
WRITTEN AUTHORIZATION FROM LEX
PRODUCTS CORP.

LEX
We Deliver the Power™

LEX PRODUCTS CORP.
15 Progress Drive, Shelton, CT 06484

TITLE:
PowerGATE™ Company Switch

ENCLOSURE MATERIAL:
14GA CRS

DRAWN BY: RJ
CHECKED BY: TM

DATE: 2013-6-12

PART NUMBER:
CS-100F-C6DS1

REV.
004

©2012 LEX PRODUCTS CORP.

QUOTE NO.:

SCALE: 1/8

SHEET 1 OF 1