

CS-100F-C5DS1

1 2 3 4 5 6

1	Product Identity
CS	Company Switch

2	Current Rating
200F	200A
100F	100A
60F	60A

Other current ratings available Consult Factory

3	Output Connections
C5D	5 Wire Cam Type and Lugs
C6D	6 Wire Cam Type and Lugs

6 Wire consists of a double neutral configuration

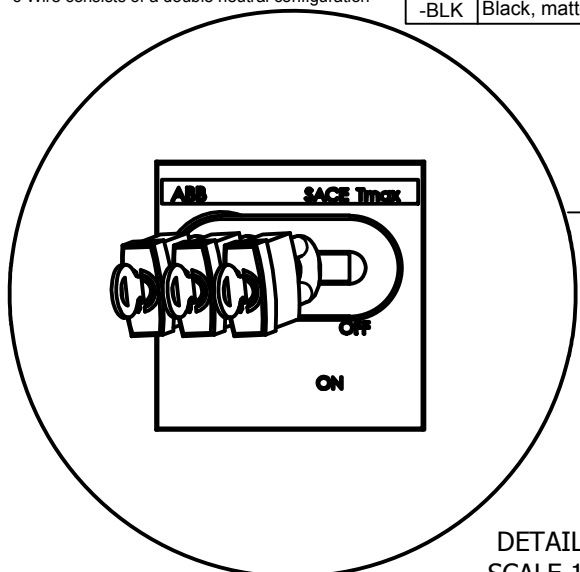
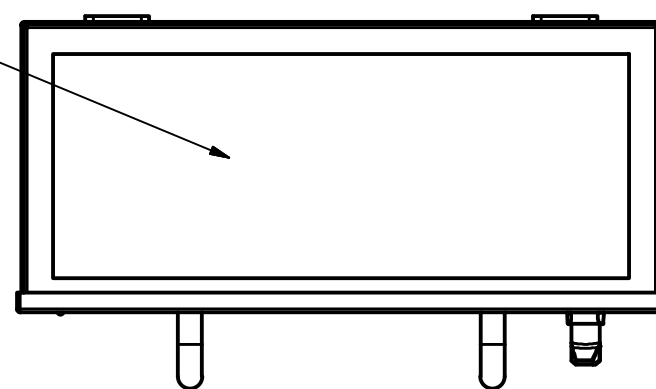
4	Gender
B	Reverse Both
G	Reverse Ground
N	Reverse Neutral
S	Straight

5	Environmental Rating
1	Type 1 - Indoor
3	Type 3R - Outdoor/Raintight

Type 3R units may be used indoors

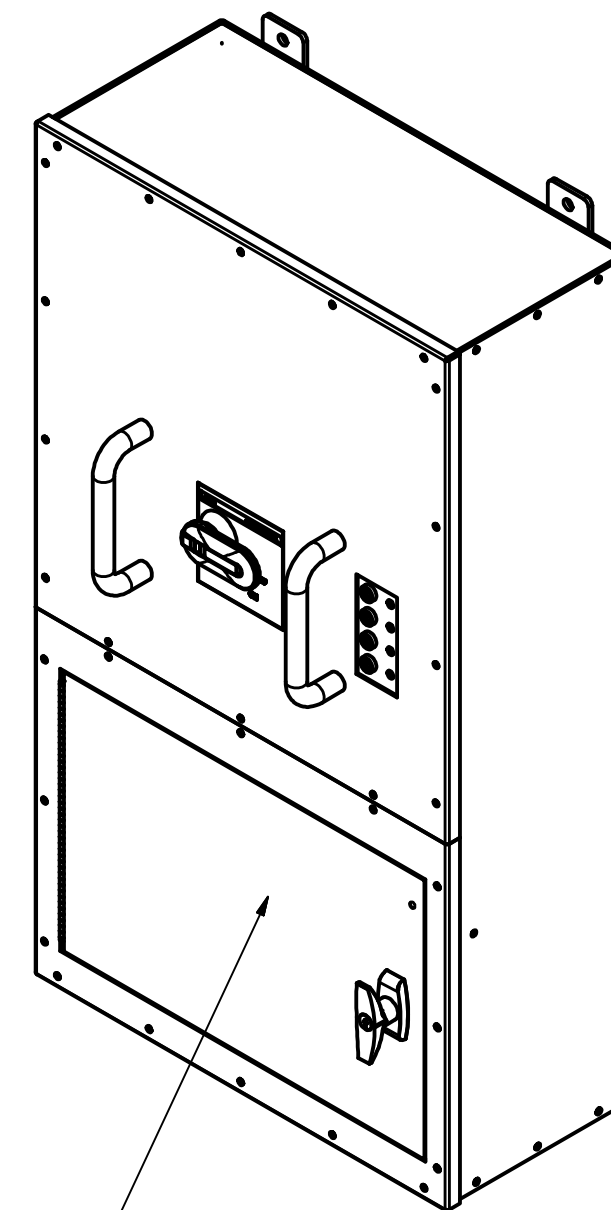
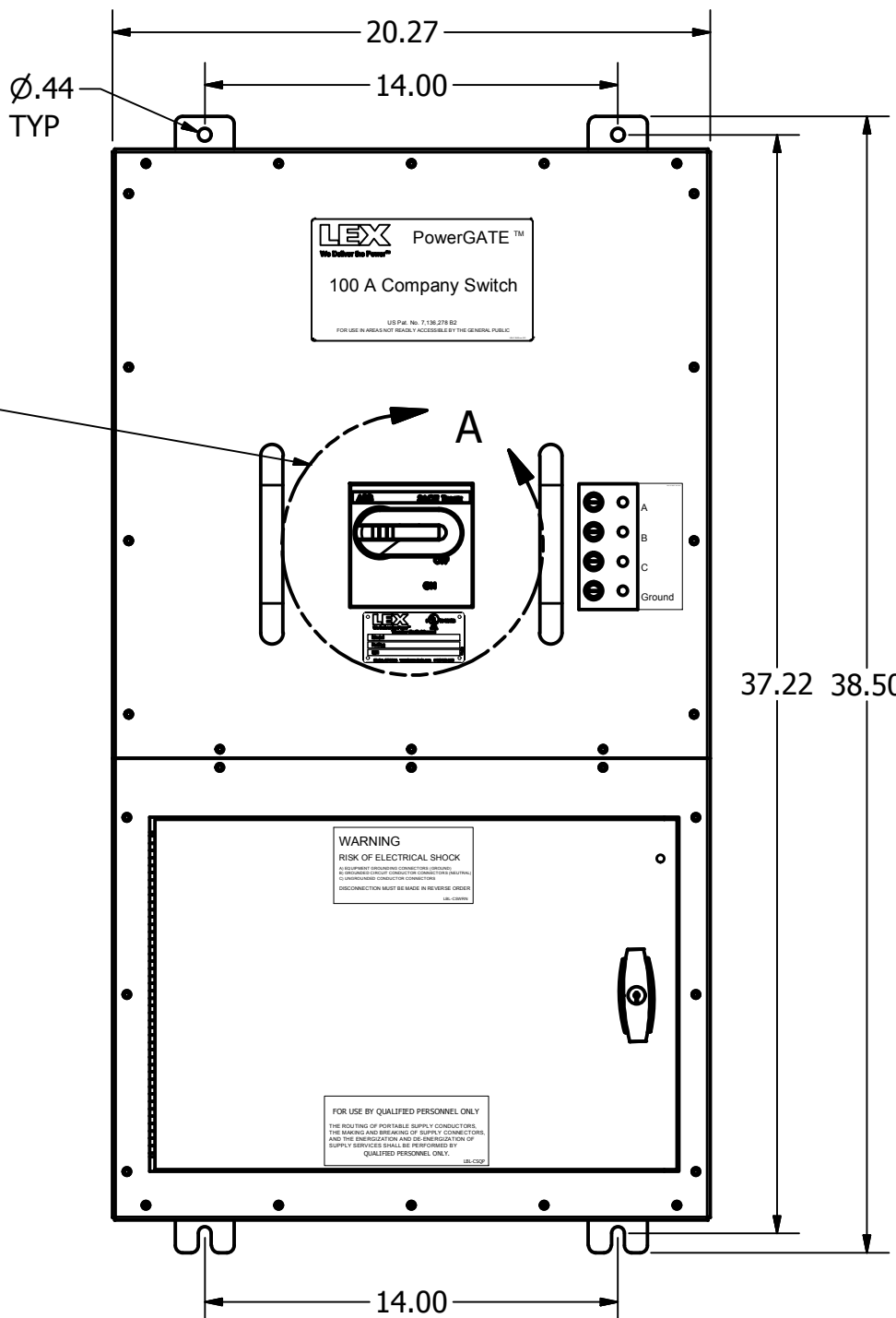
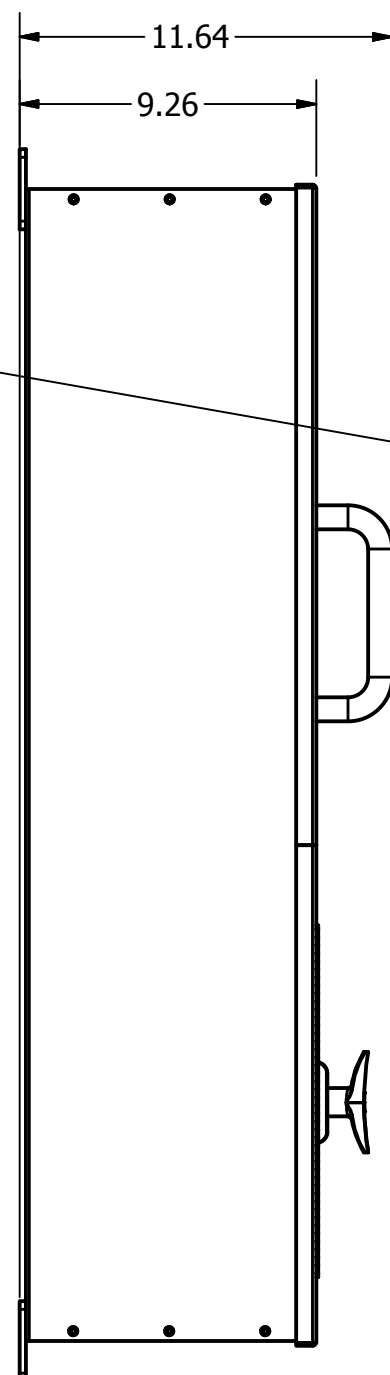
6	Color/Finish
(blank)	Sand
-BLK	Black, matte

Conduit entry from top only,
at least 1" in from sides

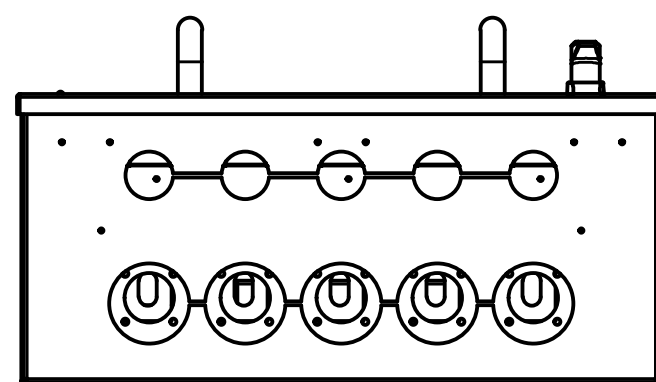


DETAIL A
SCALE 1 / 3

OSHA lockout/tagout compliant handle may be locked in the 'OFF' position (Locks not included).



All output connectors are in this chamber behind a lockable door. Safety interlock will trip the breaker when the door is opened to prevent termination while connectors are live.



BOTTOM VIEW

Environmental Rating: Type 1, Indoor

Dimensions: 20.27W /38.50L/9.33D

Powder Coat Finish: [] Sand or [] Matte Black

Contractor wiring: (1) 500 KCM - 3/0 AWG per phase

(1) 500 KCM - 4 AWG, Neutral

(1) 500 KCM - 4 AWG, Ground

Wire type: Aluminum/Copper gauged accordingly

Output Connections: (5) Cam Type connectors, Straight
(5) Lugs for bare wire connection, in parallel with Cam Type connectors

Rating: 208Y/120V, 100A, 50/60Hz
cULus Listed, E227821

Approved By

Position:

Company:

Name:

THE INFORMATION CONTAINED HEREIN IS PROPRIETARY TO LEX PRODUCTS CORP AND SHALL NOT BE REPRODUCED OR DISCLOSED IN WHOLE OR IN PART OR USED FOR ANY DESIGN OR MANUFACTURE EXCEPT WHEN SUCH USER POSSESSES WRITTEN AUTHORIZATION FROM LEX PRODUCTS CORP.



LEX PRODUCTS CORP.
15 Progress Drive, Shelton, CT 06484

TITLE:
PowerGATE™ Company Switch

ENCLOSURE MATERIAL:
14GA CRS

DRAWN BY: RJ
CHECKED BY: TM

DATE: 2013-6-12

PART NUMBER:
CS-100F-C5DS1

REV.
004

©2012 LEX PRODUCTS CORP.

QUOTE NO.:

SCALE: 1/8

SHEET 1 OF 1