

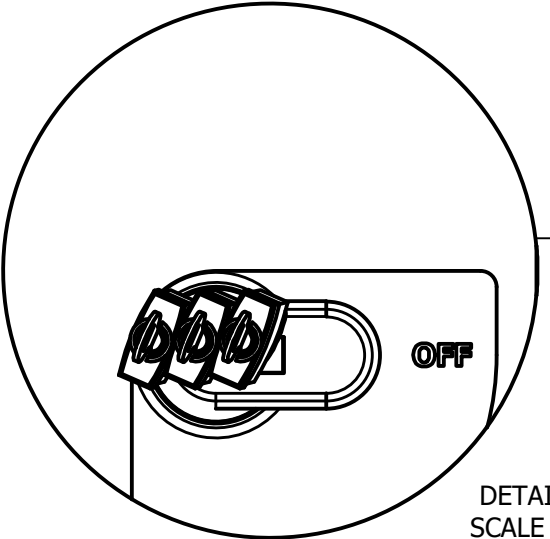
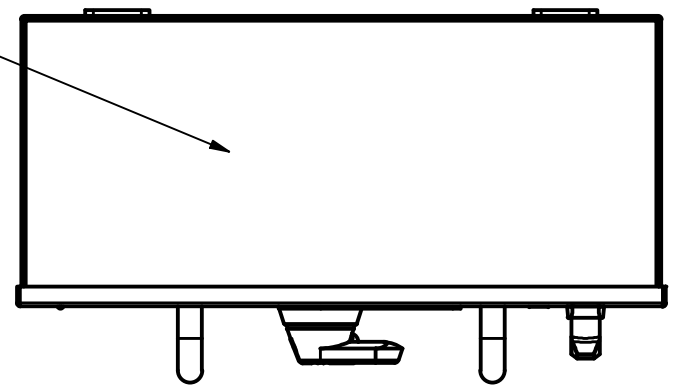
CS-60F-D5PS1

- 1
- 2
- 3
- 4
- 5

1 Product Identity	3 Output Connections	
CS Company Switch	D5PS Pin & Sleeve and Lugs	
2 Current Rating	4 Environmental Rating	
60F 60A	1 Type 1 - Indoor	
	3 Type 3R - Outdoor/Raintight	
	Type 3R units may be used indoors	
	5 Color/Finish	
	(blank) Sand	
	-BLK Black, matte	

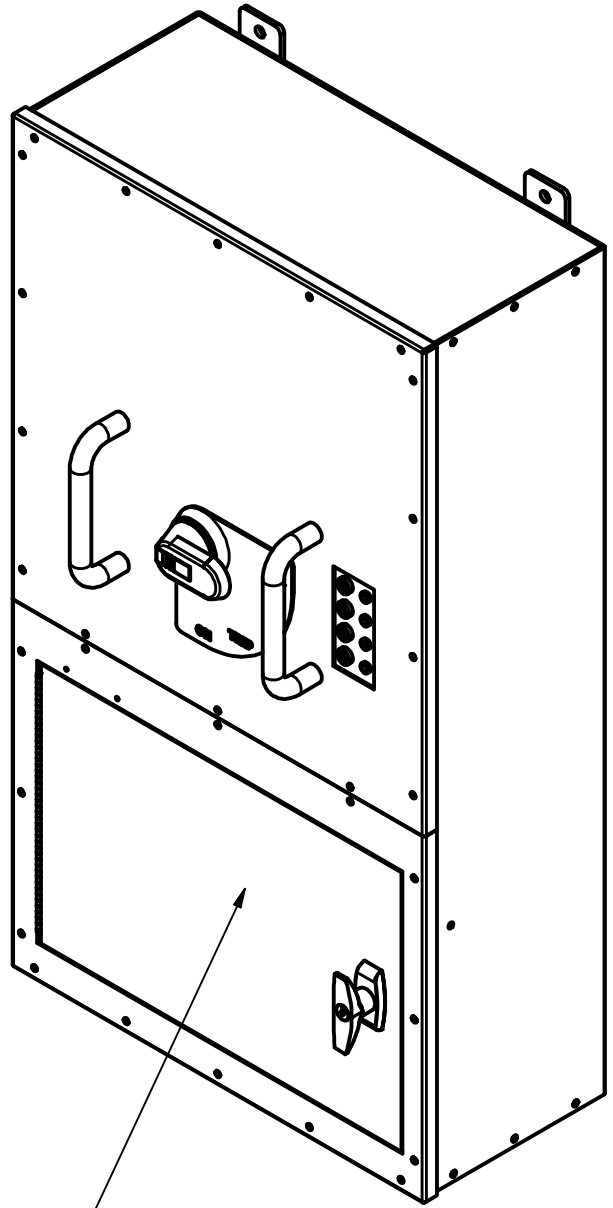
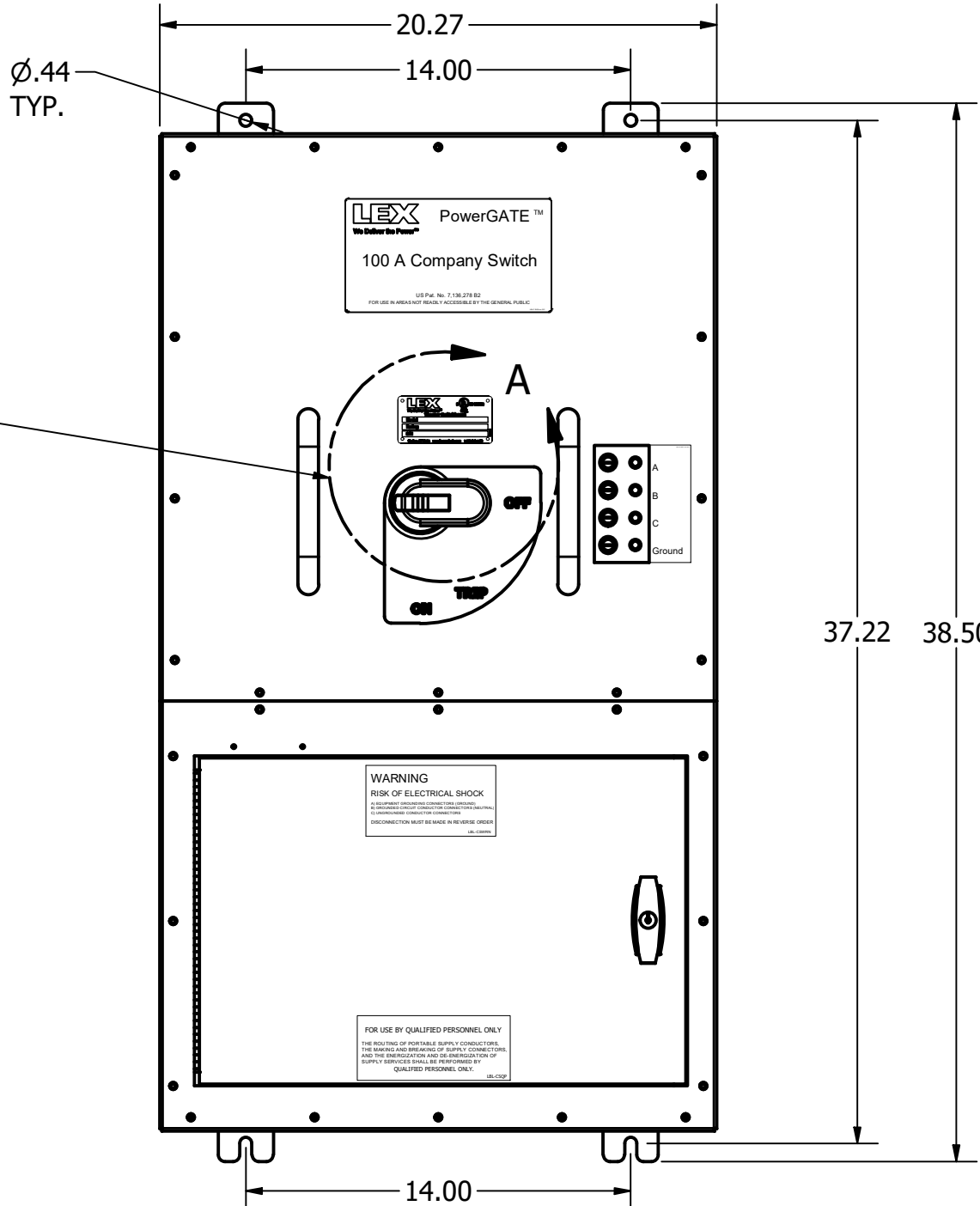
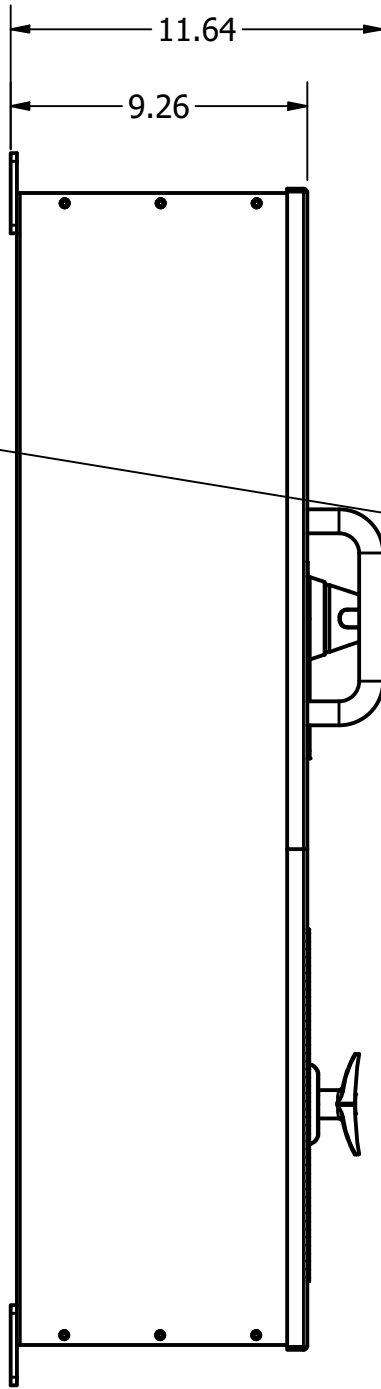
Other current ratings available Consult Factory

Conduit entry from top only,
at least 1" in from sides

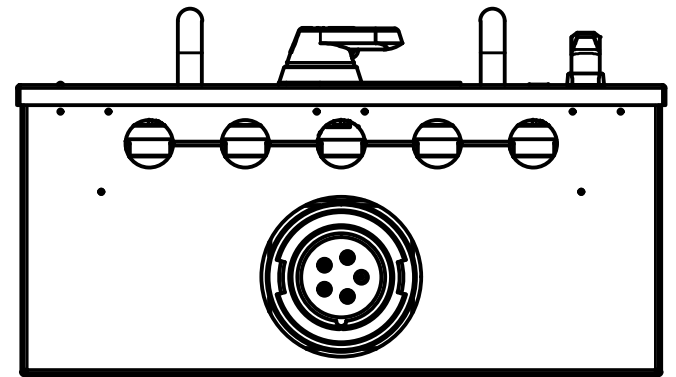


DETAIL A
SCALE 1 / 3

OSHA lockout/tagout compliant handle may be locked in the 'OFF' position (Locks not included).



All output connectors are in this chamber behind a lockable door. Safety interlock will trip the breaker when the door is opened to prevent termination while connectors are live.



BOTTOM VIEW

Environmental Rating: Type 1, Indoor
 Dimensions: 20.27W /38.50L/9.33D
 Powder Coat Finish: [] Sand or [] Matte Black
 Contractor wiring: (1) 500 KCM - 3/0 AWG per phase
 (1) 500 KCM - 4 AWG, Neutral
 (1) 500 KCM - 4 AWG, Ground

Wire type: Aluminum/Copper gauged accordingly

Output Connections: (1) Pin & Sleeve, 60A, 208Y/120VAC (H,H,H,N,G)
 (5) Lugs for bare wire connection, in parallel with Cam Type connectors

Rating: 208Y/120V, 60A, 50/60Hz
 cULus Listed, E227821

Approved By

Position:

Company:

Name:

THE INFORMATION CONTAINED HEREIN IS PROPRIETARY TO LEX PRODUCTS CORP AND SHALL NOT BE REPRODUCED OR DISCLOSED IN WHOLE OR IN PART OR USED FOR ANY DESIGN OR MANUFACTURE EXCEPT WHEN SUCH USER POSSESSES WRITTEN AUTHORIZATION FROM LEX PRODUCTS CORP.		LEX We Deliver the Power™		LEX PRODUCTS CORP. 15 Progress Drive, Shelton, CT 06484	
ENCLOSURE MATERIAL: 14GA CRS		DRAWN BY: JVJR CHECKED BY:		DATE: 1/24/2019	
©2012 LEX PRODUCTS CORP.		QUOTE NO.:		PART NUMBER: CS-60F-D5PS1	
SCALE: 1/8		SHEET 1 OF 1		TITLE: PowerGATE™ Company Switch	
REV. 000					