

Emergency Power Solutions



LEX
WE DELIVER THE POWER™



**Be Prepared Before
the Power Goes Out!**



The Importance of Emergency Power Solutions...

AN EXCERPT FROM USA TODAY:

Analysis from blackout events in the United States shows that a 30-minute power loss results in an average of \$15,709 in loss of business for medium and large businesses, and nearly \$94,000 for an eight-hour interruption.

Even short blackouts – which occur several times a year in the U.S. - can add up to an annual estimated economic loss of between \$104 to \$164 billion.

***All in USD**

TOP AFFECTED INDUSTRIES BY THE LOSS OF POWER:

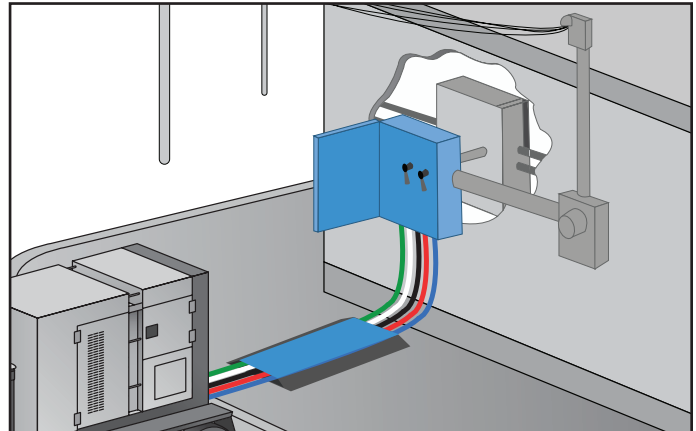
- Manufacturing Industries
- Financial Corporations
- Consulting and IT Services
- Data Centers
- Perishable Item Distributors
- Control Centers
- Medical / Healthcare Facilities
- Military Operations
- Entertainment Venues
- Safety and Security

PERMANENT SOLUTIONS FOR EMERGENCY POWER

400 Amp ReadySwitch™ (Switched and Service Entrance Rated Versions)



Power Input Panel with Emergency Transfer Switch



Catalog Number:

Service Entrance Rated Version

PIPM0400-C-C-AJ-GRXEE (Black, Red, Blue)

PIPM0400-C-C-AJ-GOXEE (Brown, Orange, Yellow)

PIPM0400-C-C-AJ-GBXEE (All Black)

Switched Version

PIPM0400-S-S-AJ-GRXFF (Black, Red, Blue)

PIPM0400-S-S-AJ-GOXFF (Brown, Orange, Yellow)

PIPM0400-S-S-AJ-GBXFF (All Black)

Description:

The ReadySwitch™ Power Input Panel with Integrated Manual Transfer Switch is a cULus 1008 Listed Switchgear Accessory that enables easy connection and operation of a portable generator to a facility in the event of a power outage. Designed to work in tandem with utility power and portable generator (purchased separately) power and to switch between the two sources.

Application:

Gas Stations, Convenience Stores, Grocery Stores, Schools, Water and Sewage Treatment Plants, Municipal Facilities, Nursing Homes, Hospitals and Urgent Care Centers, Housing Facilities and Communication Facilities.

Features & Benefits:

- Eliminates the need for an expensive permanent generator purchase and maintenance schedule as well as the need for professional emergency electrical work
- Outdoor placement eliminates the need to run cables in public access areas and allows building entrances to remain securely closed
- Keyed entry on front door prevents unauthorized access and operation
- cULus Listed Type 3R for extended use outdoors
- ANSI Gray color matches other switchgear and does not stand out
- Clearly identified exterior labels increase visibility during a power outage

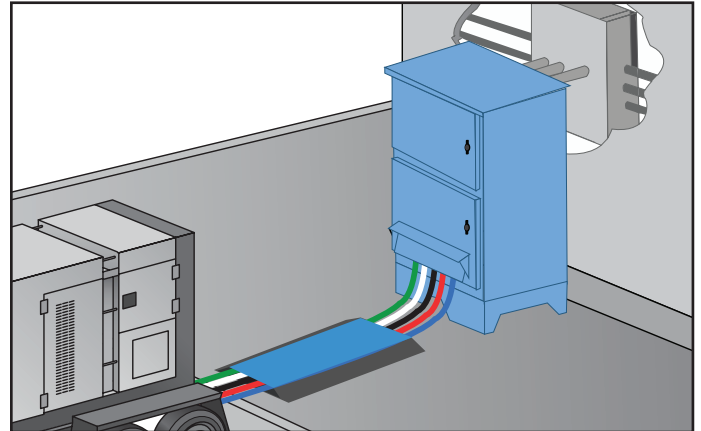
Specifications & Ordering Information

Catalog Numbers	See Above (Service Entrance Rated)
Rating	400 Amp, 3 Phase (H,H,H,N,G), 4 Pole, 5 Wire, 600 VAC Maximum
Input	(1) Set of (5) 16 Series Single Pole Cam-type color coded panel mount inlets (Green, White, Black, Red, Blue)
Output	Direct Wire
Enclosure Material & Environmental Rating	Powder Coated Steel, ANSI 61 Grey, Type 3R
Overall Dimensions	48.0" H x 30.0" D x 13.5" W
Approximate Weight	252 lbs.

PERMANENT SOLUTIONS FOR EMERGENCY POWER

1600 Amp Power Input Panel

Ensure compliance to NEC 700.3(F) with PowerGATE™ Input Panels



Catalog Number:

PGIP1600G-GWBRB-GKS and **PGIP1600G-GWBOY-GKS**

Description:

1600 Amp Generator docking station, permanently installed enclosure with Single Pole Cam-type input, Type 3R Weather Resistant.

Application:

This panel is cETLus Listed and an easy connection point for cables coming from a portable generator when temporary power is required due to a power outage. The Power Input Panel is used in conjunction with a transfer switch.

Features & Benefits:

- Provides safe, reliable, convenient and economical access to temporary electricity in power outage and disaster relief applications
- Keylocked access doors limit access to connections and help prevent unauthorized entry
- Bus bars made of 3/8" thick copper enable a short circuit capacity of 22,000 Amps
- Ample room for cable routing and termination
- Series 16 Single Pole Cam-type connectors allow for quick connection
- Sturdy forklift slots enable stable transport and installation
- Come standard with kirk key provision, phase rotation and 2 wire remote start/stop terminals

Specifications & Ordering Information

Catalog Numbers	PGIP1600G-GWBRB-GKS	PGIP1600G-GWBOY-GKS
Rating	1600 Amp, 3 Phase (H,H,H,N,G), 4 Pole, 5 Wire, 480 VAC Maximum	1600 Amp, 3 Phase (H,H,H,G), 3 Pole, 3 Wire, 480 VAC Maximum
Connector Input	(4) Sets of (5) 16 Series Single Pole Cam-type Green, White, Black, Red, Blue	(4) Sets of (5) 16 Series Single Pole Cam-type Green, White, Brown, Orange, Yellow
Connector to Building Wiring	Copper bus bar with 1/2" Holes	Copper bus bar with 1/2" Holes
Agency Approval	cETLus Listed	cETLus Listed
Enclosure Material & Environmental Rating	Textured Powder coated 12 gauge galvanized steel, Type 3R Rainproof	Textured Powder coated 12 gauge galvanized steel, Type 3R Rainproof
Overall Dimensions	56.0" H x 30.0" D x 35.0" W	56.0" H x 30.0" D x 35.0" W
Approximate Weight	495 lbs.	505 lbs.

Feeder Cables with Single Pole Cam-Type Connectors

PowerFLEX™
Cable Assemblies

Extensions and Tie-In Sets

These extensions are made with Single Pole Cam-type connectors using either type W (Industrial) or Type SC (Entertainment) feeder cable.

Contact Lex for Stock Feeder extensions and tails available for immediate delivery.



Cam-Type Extensions

Rating	Male Connector	Cable	Female Connector	Catalog No.
400 Amp, 600 VAC	16 Series Inline	4/0 AWG Type W (Industrial)	16 Series Inline	FEL600W-XX
400 Amp, 600 VAC	16 Series Inline	4/0 AWG Type SC (Entertainment)	16 Series Inline	FE6000-XX
200 Amp, 600 VAC	16 Series Inline	2/0 AWG Type W (Industrial)	16 Series Inline	FEL500W-XX
200 Amp, 600 VAC	16 Series Inline	2/0 AWG Type SC (Entertainment)	16 Series Inline	FE5000-XX
100 Amp, 600 VAC	16 Series Inline	#2 AWG Type SC (Entertainment)	16 Series Inline	FE3000-XX
100 Amp, 600 VAC	(5) 16 Series Inline	#2 AWG Type SC (5) Wire Banded	(5) 16 Series Inline	FBL305W-XX

Add suffix to indicate connector color: A=Black B=White C=Red D=Blue E=Green H= Brown O= Orange Y=Yellow
XX to specify cable length



Bare End Tie-In Sets

Rating	Male Connector	Cable	Female Connector	Catalog No.
400 Amp, 600 VAC	Bare Cable End	4/0 AWG Type W (Industrial)	(5) 16 Series Inline	TS60WF-XX
200 Amp, 600 VAC	Bare Cable End	2/0 AWG Type W (Industrial)	(5) 16 Series Inline	TS50WF-XX
100 Amp, 600 VAC	Bare Cable End	#2 AWG Type W (Industrial)	(5) 16 Series Inline	TS300WF-XX

Tie-In sets are to be used by authorized personnel only.

Add suffix to indicate connector color: A=Black B=White C=Red D=Blue E=Green H= Brown O= Orange Y=Yellow
XX to specify cable length

TEMPORARY SOLUTIONS FOR EMERGENCY POWER

1



LuxCommander® 8,200 Lumen Portable Work Light

Portable work light, cULus Listed, outdoor rated with rugged polycarbonate shell. Ballast operated up to 277 VAC. Models with 60-minute emergency battery backup also available (Model: B6700-EM).

P/N: B6700-FL-Y

2



E-String™ Multiple Receptacle Extension

20 Amp, 120 VAC NEMA 5-20 straight-blade plug with (6) 15 Amp, 2 Pole, 3 Wire, NEMA 5-15 Receptacles.

P/N: 50112BA

3



NEMA 5-15 Cable Extension

15 Amp, 120 VAC NEMA 5-15 water-resistant plug and connector, 12 AWG, 3 Conductor, SOOW Yellow Cable Listed for protections against water, oil and sunlight.

P/N: PE7000Y-25-515-WT

4



50 Amp Pagoda Jr.

50 Amp, 120/240 VAC, 3 Pole, 4 Wire, Pagoda Jr. Enclosure, California-Style locking inlet to (6) 20 Amp, 120 VAC GFCI NEMA 5-20 duplex receptacles, cULus Listed, Type 3R Weather Resistant.

P/N: DB-50NF-BQQ-S3

5

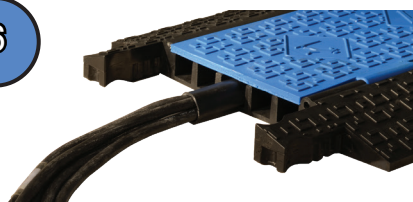


50 Amp Locking Cable Extension

50 Amp, 120/240 VAC, 3 Pole, 4 Wire, California-Style locking extension, 6 AWG, 4 Conductor, SOOW Cable with protection against water, oil and sunlight.

P/N: PE6/4L-50-CS63

6

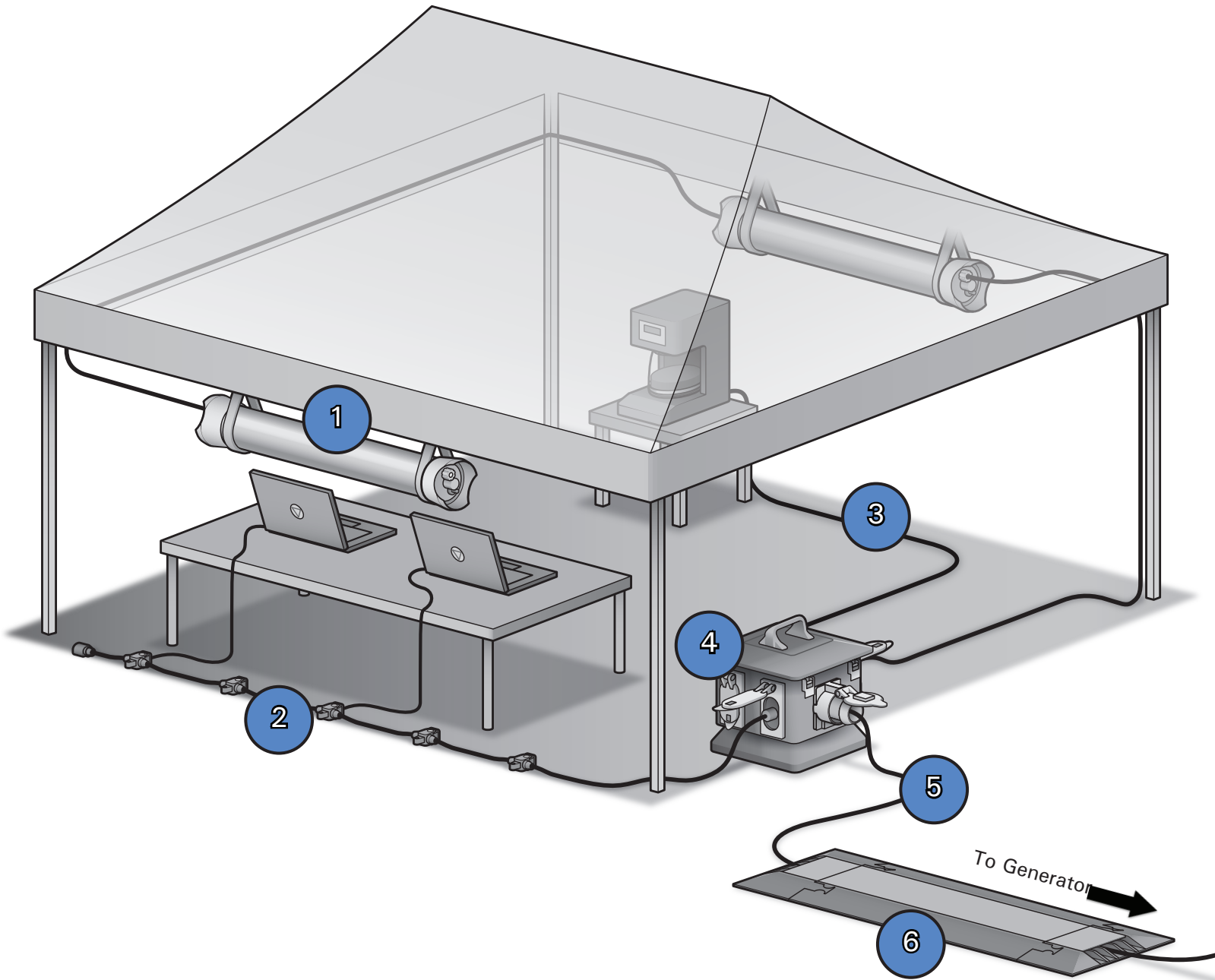


Crossover Cable Protector

5 channel (4 @ 1.25", 1 @ 1.625") cable protector, 16.3k lbs./tire

P/N: PRC-5

LEX STOCKS COMPLETE POWER DISTRIBUTION SYSTEMS CONTACT YOUR LEX REPRESENTATIVE FOR MORE DETAILS



EXAMPLE OF A DISASTER RELIEF SYSTEM

PowerGATE™
Switches & Panels

PowerFLEX™
Cable Assemblies

PowerHOUSE™
Portable Distribution Boxes

PowerRAMP®
Cable Protectors

LuxCommander®
Portable Work Lights

STOCK LOCATIONS: DAVIE, FL- SHELTON, CT - PACOIMA, CA



For over 30 years Lex Products has provided custom engineered solutions and durable products for the some of the most critical applications where portable power is needed.

Lex specializes in products designed to withstand rough use and harsh environments. This brochure displays a selection of offerings, specific to disaster relief and temporary shelter power applications.